

Furniture and medical equipment



ALVO Grupa Gastrometal

ul. Południowa 21a
64-030 Śmigiel, Poland
tel. +48 65 518 98 49
fax +48 65 518 98 56
www.alvo.pl



- Certified Management System
- EN ISO 9001
- EN ISO 13485



About the company	4
Certificates	5
Modular furniture	6
group 1 Stainless steel panel system	9
group 2 Surgical scrub sinks	11
group 3 Instrument tables	19
group 4 Anaesthesia cabinets and trolleys	27
group 5 Equipment for operating rooms	35
group 6 Trolleys for medical devices	43
group 7 Trolleys for linen transportation	49
group 8 Medical and storage cabinets	53
group 9 Baskets, shelves and trolleys for sterile products	71
group 10 Medical working tables.....	81
group 11 Couches and bed screens	89
RAL color pallet.....	97
Index	98

Alvo Grupa Gastrometal is a producer of medical devices. Together with our customers we take care of providing and maintenance of safety during medical treatments, saving patient's life and their convalescence. Our integrated operating theatre is a complex product. It is created of stainless steel panel system, infrastructure and equipment for operating theatre. Three factors decide about functionality of our integrated operating theatre: safety – ergonomics – economy.

We employ a team of engineers and designers responsible for realization of our projects. We cooperate with reputable suppliers of materials, using only what is the best and what gives best assurance of patient safety. Our medical advisors – practicing doctors – inspire us to systematic application of changes and improvements.

We operate on international market. We supply the hospitals in many countries. We participate in international trades and scientific conferences. We support humanitarian actions.

Achievement of such a success on global scale would not be possible without huge labour inputs of our ambitious and experienced team. Thanks to this team of professionals opened for innovations, supported with investments in technology and machinery it is possible to achieve our plans. We offer you modern and safe product. Our product.

**WE PROVIDE OUR CUSTOMERS WITH
MAINTENANCE SERVICES AND A GUARANTEE OF
A LONG LIFETIME OF OUR PRODUCTS.**





- ➔ In 2001 we introduced **ISO 9001:2000, Quality Management System** to assure top quality at every stage of the manufacturing process - from design, through plans and specifications, the material and production methods used, to the final control stage of the ready-made product.
- ➔ In 2009 we introduced the Quality Management System for medical devices **EN ISO 13485:2003**.
- ➔ Panel system of Alvo Grupa Gastrometal has technical approval issued by COBR Metalplast for wall and ceiling panels as well as for internal doors and windows made of stainless steel.
- ➔ Panel system of Alvo Grupa Gastrometal has hygienic certificate of National Hygiene Institution.
- ➔ Panel system for operating theatres with antibacterial cover BioCote® was awarded by **Gold Medal MTP – Złoty Eskulap** in 2008.

MODULAR SYSTEM OF FURNITURE

Modular system of furniture of ALVO offers different types of high wardrobes, lower or hanging cabinets, tables and tables with sinks. The customer has a possibility to design the interior in a lot of ways using wide range of products.

Furniture is made of stainless steel AISI 304 or for the customers wish of the carbon steel powder coated in color chosen from RAL color pallet of ALVO.

Table tops can be made of stainless steel, Corian or MDF, HPL plates.

Additionally there can be supplied covers, made of stainless steel or carbon steel powder coated. Covers are made for particular dimensions. It is used to cover free space between cabinets and wall or between wardrobe and ceiling.





MODULAR FURNITURE

exemplary scheme of configuration for working table

modular
furniture

ACCESSORIES



modular
furniture

TABLE TOPS



modular
furniture

TABLES



modular
furniture

CABINETS



STAINLESS STEEL PANEL SYSTEM



Furniture
and medical
equipment

group 1



STAINLESS STEEL PANEL SYSTEM

Technology BioCote® based on active silver is commonly used in health service as a perfect protection against microorganisms. Pioneer technology BioCote® is added to the panels during their production process.

Protection Biocote® reduces 99,9% of microbiological contaminations as fungi, bacteria and virus, acting 24 hours a day.



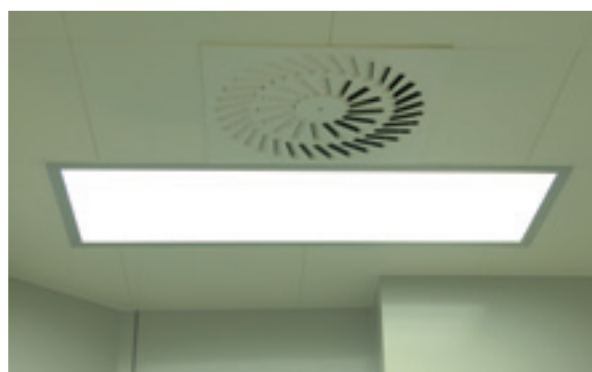
operating theatre made entirely of stainless steel 0H18N9



operating theatre made entirely of stainless steel 0H18N9



system walls



system ceilings



system doors



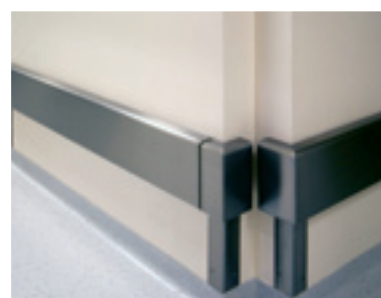
windows and glass elements



surgical scrub sinks



medical cabinets, cruise cabinets



additional elements

SURGICAL SCRUB SINKS



Furniture
and medical
equipment

group 2



SURGICAL SCRUB SINKS

Surgical Scrub sinks and sinks are made of stainless steel PN 0H18N9, other symbols for this kind of steel: W.NR 1.4301, AISI 304.

Surgical scrub sinks and sinks are destined for operating theatres and other places, where high hygienic standards have to be maintained.

As standard catalogue products we offer sinks with single, double and triple bay, free standing as well as wall hanging. We offer also tailor made sizes and types of sinks which can be ordered with wide range of additional accessories such as touchless and elbow operated faucets, brush dispensers and touchless and elbow operated soap and disinfectant containers.



We reserve the right to change design, constructions and dimensions of our products in order to improve their functionality and modernity.



2-091-1 Surgical scrub sink with wall panel

- wall mounted scrub sink
- scrub sink with wall panel
- depth of sink – 200 mm
- drain trap included – 1x
- additional accessories mounted to the wall available: water taps, soap and disinfectant dispensers, brush dispensers and paper towels dispensers
- external dimensions [mm]:

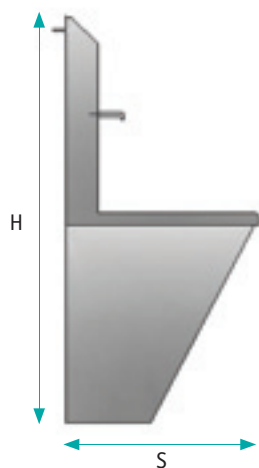
	L	S	H
2-091-1	845	600	1240



2-091-2 Surgical scrub sink with wall panel

- wall mounted scrub sink
- scrub sink with wall panel
- depth of sink – 200 mm
- drain trap included – 2x
- additional accessories mounted to the wall available: water taps, soap and disinfectant dispensers, brush dispensers and paper towels dispensers
- external dimensions [mm]:

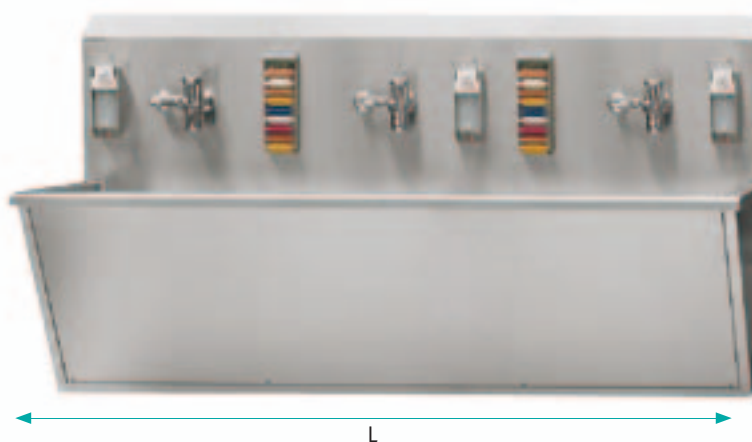
	L	S	H
2-091-2	1600	600	1240



2-091-3 Surgical scrub sink with wall panel

- wall mounted scrub sink
- scrub sink with wall panel
- depth of sink – 200 mm
- additional accessories mounted on wall panel available: water taps, soap and disinfectant dispensers, brush dispensers and paper towels dispensers
- external dimensions [mm]:

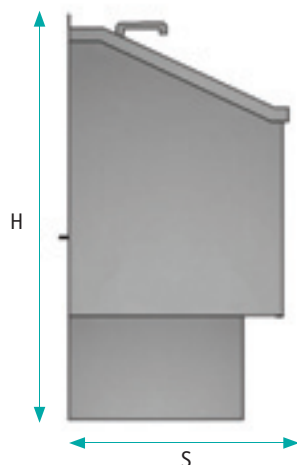
	L	S	H
2-091-3	2355	600	1240



2-092-1 Surgical scrub sink with knee operated soap dispenser and knee operated water tap

- free standing sink with wall mounting possibility
- depth of sink – 300 mm
- standard: drain trap included - 1x, knee activated water and soap dispensers - water and soap time adjustable - 0,25 s - 12 min., water thermostat - temperature - 35°C - 41°C, chrome faucets
- additional accessories mounted to the wall available: water taps, soap and disinfectant dispensers, brush dispensers and paper towels dispensers
- external dimensions [mm]:

	L	S	H
2-092-1	845	635	1171

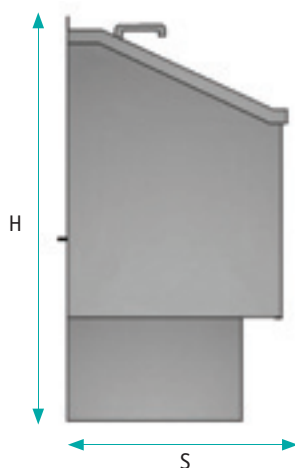




2-092-2 Surgical scrub sink with knee operated soap dispenser and knee operated water tap

- free standing sink with wall mounting possibility
- depth of sink – 300 mm
- standard: drain trap included - 2x, knee activated water and soap dispensers - water and soap time adjustable - 0,25 s – 12 min., water thermostat - temperature - 35°C - 41°C, chrome faucets
- additional accessories mounted to the wall available: water taps, soap and disinfectant dispensers, brush dispensers and paper towels dispensers
- external dimensions [mm]:

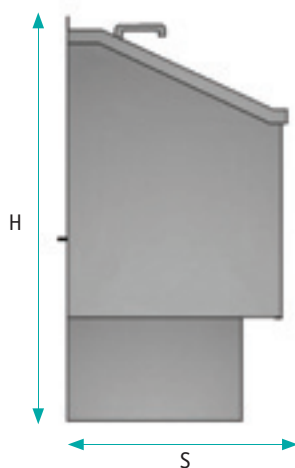
	L	S	H
2-092-2	1600	635	1170



2-092-3 Surgical scrub sink with knee operated soap dispenser and knee operated water tap

- free standing sink with wall mounting possibility
- depth of sink – 300 mm
- standard: drain trap included - 3x, knee activated water and soap dispensers - water and soap time adjustable - 0,25 s – 12 min., water thermostat - temperature - 35°C - 41°C, chrome faucets
- additional accessories mounted to the wall available: water taps, soap and disinfectant dispensers, brush dispensers and paper towels dispensers
- external dimensions [mm]:

	L	S	H
2-092-3	2355	635	1170



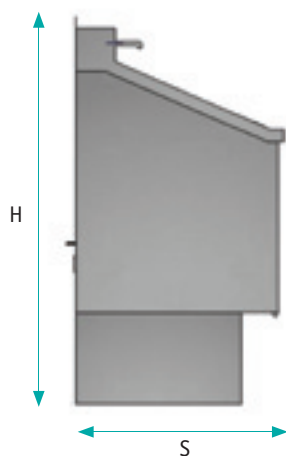
2-093-1

Surgical scrub sink with infra red soap dispenser and infra red water tap

- free standing sink with wall mounting possibility
- depth of sink – 300 mm
- standard: drain trap included - 1x, water and soap dispensers activated by sensor - water and soap time adjustable, water thermostat - temperature adjustable, chrome faucets

- additional accessories mounted to the wall available: water taps, soap and disinfectant dispensers, brush dispensers and paper towels dispensers
- openable front panel with two latches
- external dimensions [mm]:

	L	S	H
2-093-1	845	635	1271



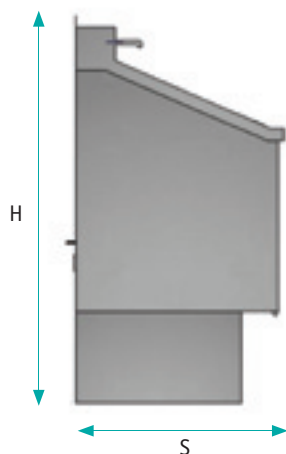
2-093-2

Surgical scrub sink with infra red soap dispenser and infra red water tap

- free standing sink with wall mounting possibility
- depth of sink – 300 mm
- standard: drain trap included - 2x, water and soap dispensers activated by sensor - water and soap time adjustable, water thermostat - temperature adjustable, chrome faucets

- additional accessories mounted to the wall available: water taps, soap and disinfectant dispensers, brush dispensers and paper towels dispensers
- openable front panel with two latches
- external dimensions [mm]:

	L	S	H
2-093-2	1600	635	1271



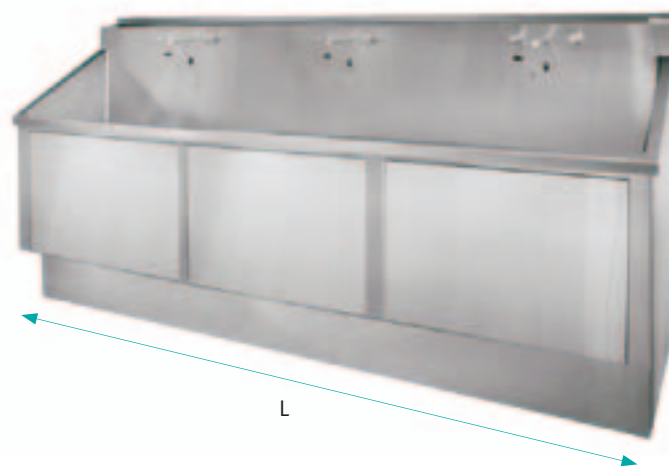
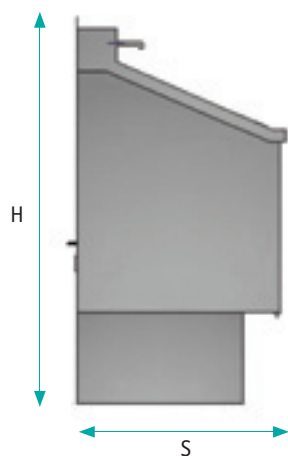


2-093-3

Surgical scrub sink with infra red soap dispenser and infra red water tap

- free standing sink with wall mounting possibility
- depth of sink – 300 mm
- standard: drain trap included - 3x, water and soap dispensers activated by sensor - water and soap time adjustable, water thermostat - temperature adjustable, chrome faucets
- additional accessories mounted to the wall available: water taps, soap and disinfectant dispensers, brush dispensers and paper towels dispensers
- openable front panel with two latches
- external dimensions [mm]:

	L	S	H
2-093-3	2355	635	1270

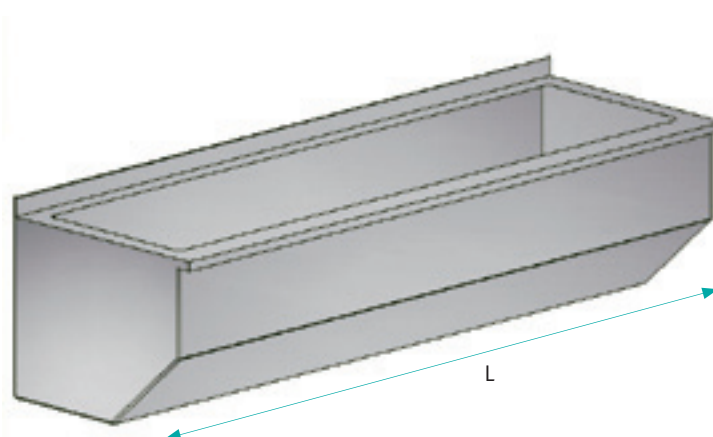
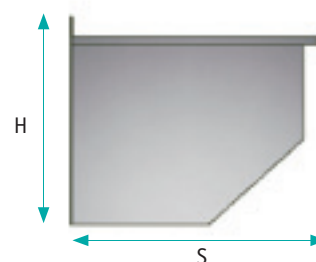


2-090-1, 2-090-2, 2-090-3

Surgical sink

- wall mounted scrub sink
- depth of sink – 200 mm
- drain trap included
- additional accessories mounted to the wall available: water taps, soap and disinfectant dispensers, brush dispensers and paper towels dispensers.
- external dimensions [mm]:

	L	S	H
2-090-1	845	520	440
2-090-2	1600	520	440
2-090-3	2355	520	440



2-900 Brush dispenser

- made of stainless steel 0H18N9
- includes 9 brushes
- dimensions: 110x30x340 mm



2-901, 2-902 Disinfectant fluid or soap dispenser - 500 ml, 1000 ml

- disinfectant fluid or soap is filled up by removing the container from dispenser
- cover made of plastic or stainless steel



2-903, 2-904 Paper towel's dispenser - 250 pcs, 500 pcs

- dispenser of Merida company, wall mounted
- towels supplemented by opening upper cover



2-905 Elbow operated water tap, wall mounted

- water tap with extended clinical handle
- with elbow operated handle
- water tap for model **2-090** and **2-091**
- information concerning particular model are presented with the offer

2-906 Infra red water tap mounted to the sink

- power supply - mains
- water tap for model 2-091
- information concerning particular model are presented with the offer

2-907 Infra red water tap wall mounted

- power supply - battery
- water tap for model **2-090** and **2-091**
- information concerning particular model are presented with the offer

2-908 Infra red water tap with infra red fluid dispenser

- water tap for model **2-093**
- information concerning particular model are presented with the offer



2-911 Mirror for scrub sinks mounted over the sink

- dimensions according to the requirement



Furniture
and medical
equipment



group 3

INSTRUMENT TABLES

Instrument tables and dressing tables are made of stainless steel PN 0H18N9, other symbols for this kind of steel: W.NR 1.4301, AISI 304.

Tables are destined for storing surgical instruments and dressings during examination and operation and for storing used instruments after operation.

Tables are equipped with high quality castors with non smudging wheels, as well as bumpers which protect table from damages.

Stainless steel ergonomic handle enables easy maneuvering of the table.



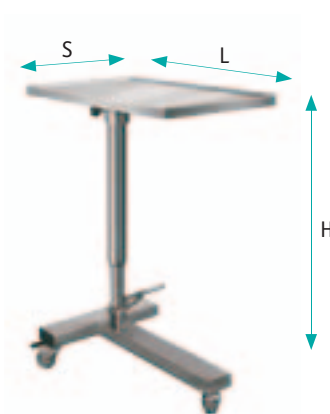
We reserve the right to change design, constructions and dimensions of our products in order to improve their functionality and modernity.



2-001 Mayo type instrument table

- table top height adjusted by hydraulic pump with foot lever
- table top rotates horizontally 360°
- t-shaped base with three single castors with diameter 80 mm
- all castors with brakes
- castors with non smudging wheels
- permissible load 15 kg
- product with CE mark
- external dimensions [mm]:

	L	S	H
2-001	740	480	960/1370



2-010 Mayo type instrument table

- table top height adjusted by hand, rotates horizontally 360°
- table top with upraised edges
- t-shaped base with three single castors with diameter 50 mm
- all castors with brakes
- castors with non smudging wheels
- table top dimensions: 400x600 mm
- table dimensions: 400x610 mm
- permissible load 5 kg
- product with CE mark
- external dimensions [mm]:

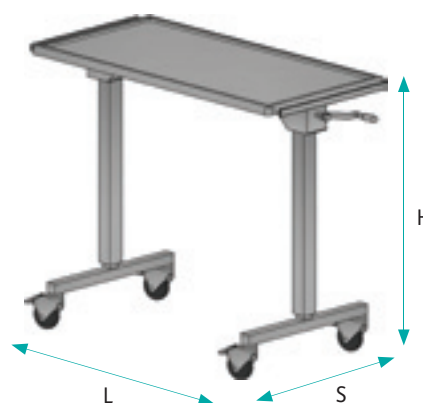
	L	S	H
2-010	630	450	920/1370



2-002 Surgical instrument table

- table top height adjusted by hand with crank handle
- base on two columns with four castors with diameter 80 mm
- all castors with brakes
- castors with non smudging wheels
- permissible load 20 kg
- external dimensions [mm]:

	L	S	H
2-002	1320	600	1000/1400

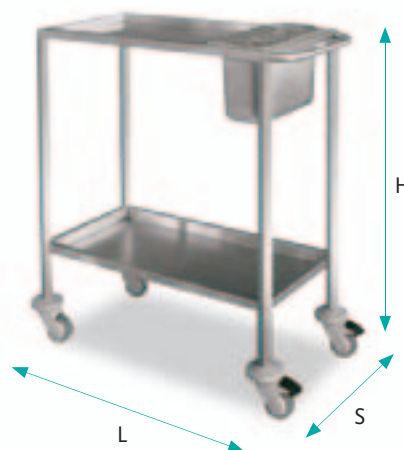


2-016

Surgical instrument and medical stuff table

- table with table top and shelf with upraised edges and a maneuvering handle situated along shorter side of table
- table top with one removable container with cover made of stainless steel 0H18N9 (container with seal)
- container's external dimensions: 325x176x200 mm
- container's internal dimensions: 300x150x200 mm
- table top removable (container not removable), shelf fixed
- distance between table top and shelf 620 mm
- distance between floor and shelf 150 mm
- Base on four castors with diameter 80 mm (two with brakes)
- castors with non smudging wheels
- castors with plastic bumpers
- external dimensions [mm]:

	L	S	H
2-016	860	440	850



2-017

Surgical instrument and medical stuff table

- table with table top and shelf with upraised edges and a maneuvering handle situated along shorter side of table
- table top with two removable containers (bigger one with cover) made of stainless steel 0H18N9 (containers with seals)
- container's external dimensions:
bigger - 530x325x200 mm
smaller - 325x176x200 mm
- container's internal dimensions:
bigger - 500x300x200 mm
smaller - 300x150x200 mm
- shelf fixed, situated 150 mm above floor
- distance between tabletop and shelf 420 mm
- base on four castors with diameter 80 mm (two with brakes)
- castors with non smudging wheels
- castors with plastic bumpers
- external dimensions [mm]:

	L	S	H
2-017	860	440	850





2-201 Dressing table

- table with one fixed flat tabletop
- maneuvering handle situated along shorter side
- four castors with diameter 100 mm (two with brakes)
- castors with non smudging wheels
- castors with plastic bumpers
- options: tabletop with upraised edges, additional accessories such as bowls for wastes on rotation frame 3l and 6l, IV stand, drawer, rails
- model without handle as instrument table
- product with CE mark
- external dimensions [mm]:

	L	S	H	table top
2-201-1	470	720	880	400x650
2-201-2	865	720	880	750x650
2-201-3	1115	720	880	1000x650
2-201-4	1315	720	880	1200x650
2-201-5	1615	720	880	1500x650

- model no 2-211 – for assembly - external dimensions, dimensions of table top [mm]:

	L	S	H	table top
2-211-1	470	765	880	400x650
2-211-2	865	720	880	750x650
2-211-3	1115	720	880	1000x650
2-211-4	1315	720	880	1200x650
2-211-5	1615	720	880	1500x650



2-202 Dressing table

- table with fixed flat table top and shelf
- distance between tabletop and shelf 445 mm
- maneuvering handle situated along shorter side
- four castors with diameter 100 mm (two with brakes)
- castors with non smudging wheels
- castors with plastic bumpers
- options: tabletop with upraised edges, additional accessories such as bowls for wastes on rotation frame 3l and 6l, IV stand, drawer, rails
- product with CE mark
- external dimensions [mm]:

	L	S	H	table top
2-202-1	470	765	880	400x650
2-202-2	865	720	880	750x650
2-202-3	1115	720	880	1000x650
2-202-4	1315	720	880	1200x650

- model no 2-212 – for assembly - external dimensions [mm]:

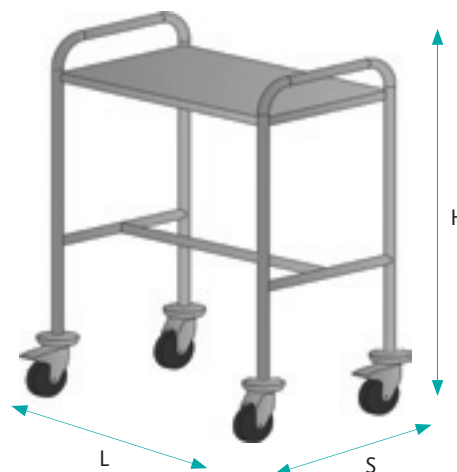
	L	S	H	table top
2-212-1	470	765	880	400x650
2-212-2	865	720	880	750x650
2-212-3	1115	720	880	1000x650
2-212-4	1315	720	880	1200x650



2-203 Dressing table

- table with one fixed flat table top
- maneuvering handles situated along shorter sides
- four castors with diameter 100 mm, two with brakes
- castors with non smudging wheels
- castors with plastic bumpers
- options: tabletop with upraised edges, additional accessories such as bowls for wastes on rotation frame 3l and 6l, IV stand, drawer, rails
- product with CE mark
- external dimensions, dimensions of table top [mm]:

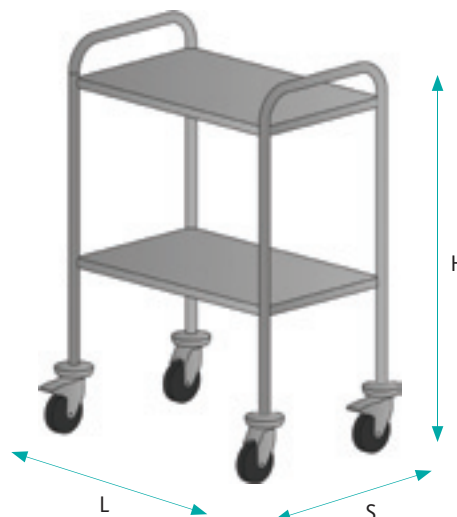
	L	S	H	table top
2-203-1	470	720	880	400x650
2-203-2	820	720	880	750x650
2-203-3	1070	720	880	1000x650
2-203-4	1270	720	880	1200x650



2-204 Dressing table

- table with fixed flat tabletop and shelf
- distance between tabletop and shelf 445 mm
- maneuvering handle situated along shorter side
- four castors with diameter 100 mm, two with brakes
- castors with non smudging wheels
- castors with plastic bumpers
- options: tabletop with upraised edges, additional accessories such as bowls for wastes on rotation frame 3l and 6l, IV stand, drawer, rails
- product with CE mark
- external dimensions, dimensions of table top [mm]:

	L	S	H	table top
2-204-1	470	720	880	400x650
2-204-2	820	720	880	750x650
2-204-3	1070	720	880	1000x650
2-204-4	1270	720	880	1200x650



**2-920****Drawer**

- drawer completely made of stainless steel 0H18N9

**2-934, 2-936****Bowl with holder**

- made of stainless steel 0H18N9
- bowl hoop made of 6 mm rod
- bowl capacity: 3l, 6l

**2-938****Bucket 7l with holder**

- made of stainless steel 0H18N9

**2-945****Tray with holder**

- made of stainless steel 0H18N9
- dimensions: 280x180x60 mm







Furniture
and medical
equipment



group 4

Anesthesia cabinets and trolleys are made of stainless steel PN 0H18N9, other symbols for this kind of steel: W.NR 1.4301, AISI 304. Drawers are installed on ball bearing rails which enable slide to 80% of their length, with special lock which prevents from opening when drawers are closed.

Each drawer has silicone gasket. Maximum load capacity for one drawer is 20kg.

Handles of drawers and cabinets are made of stainless steel.

Cabinets and trolleys are equipped with high quality castors with non smudging wheels, as well as bumpers which protect products from damages. Stainless steel ergonomic handle enables easy maneuvering with cabinets and trolleys.



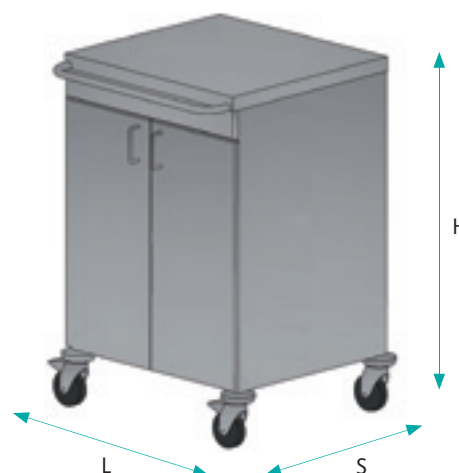
We reserve the right to change design, constructions and dimensions of our products in order to improve their functionality and modernity.



2-301 Anesthesia trolley

- cabinet with double wing doors, doors made of stainless steel 0H18N9
- flat table top
- maneuvering handle situated at front side of cabinet
- one stainless steel shelf inside
- cabinet on castors with diameter 100 mm, two castors with brakes
- table top dimensions: 650x600 mm
- external dimensions [mm]:

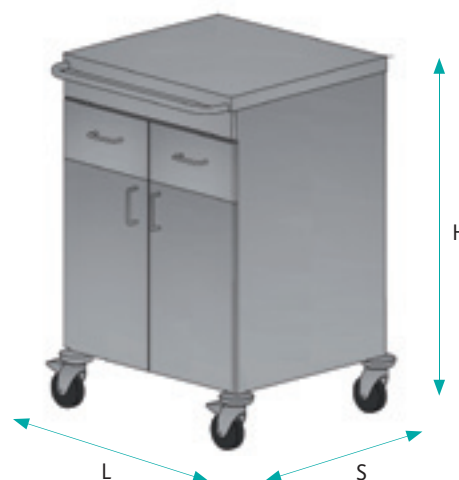
	L	S	H
2-301	720	715	985



2-302 Anesthesia trolley

- cabinet with two drawers under tabletop and double wing doors
- drawers on ball bearing slides
- flat tabletop
- maneuvering handle situated at front side of cabinet
- one stainless steel shelf inside
- cabinet on castors with diameter 100 mm, two castors with brakes
- table top dimensions: 650x600 mm
- external dimensions [mm]:

	L	S	H
2-302	720	715	985



2-303 Anesthesia trolley

- cabinet with three drawers
- drawers with same sizes, on the ball bearing slides
- one shelf under the drawers
- maneuvering handle situated at front side of cabinet
- castors with diameter 100 mm, two castors with brakes
- table top dimensions: 650x600 mm
- external dimensions [mm]:

	L	S	H
2-303	720	715	985



2-305 Anesthesia trolley

- cabinet with two drawers
- drawers with same sizes, on the ball bearing slides
- one shelf under the drawers
- maneuvering handle situated at front side of cabinet
- castors with diameter 100 mm, two castors with brakes
- table top dimensions: 650x600 mm
- external dimensions [mm]:

	L	S	H
2-305	720	715	985



2-316 Anesthesia trolley

- cabinet with one drawer under the tabletop
- on the left side, cabinet with one wing doors with one shelf inside
- on the right side three drawers
- drawers on ball bearing slides
- maneuvering handle situated at front side of cabinet
- castors with diameter 100 mm, two castors with brakes
- table top dimensions: 650x600 mm
- external dimensions [mm]:

	L	S	H
2-316	720	715	985



2-317 Anesthesia trolley

- cabinet with eight same drawers, in two vertical rows, four in each row
- drawers on ball bearing slides
- maneuvering handle situated at front shorter side of cabinet
- castors with diameter 100 mm, two castors with brakes
- table top dimensions: 650x600 mm
- external dimensions [mm]:

	L	S	H
2-317	720	715	985





2-318 Anesthesia trolley

- cabinet with four same drawers
- drawers on ball bearing slides
- maneuvering handle situated at front side of cabinet
- castors with diameter 100 mm, two castors with brakes
- table top dimensions: 650x600 mm
- external dimensions [mm]:

	L	S	H
2-318	720	715	985



2-319 Anesthesia trolley

- cabinet with seven drawers
- under tabletop three same drawers on whole length of trolley
- below two drawers in one row
- drawers on ball bearing slides
- maneuvering handle situated at front side of cabinet
- castors with diameter 100 mm, two castors with brakes
- table top dimensions: 650x600 mm
- external dimensions [mm]:

	L	S	H
2-319	720	715	985



2-325 Anesthesia trolley

- cabinet with seven drawers
- under tabletop one big drawer
- below six same drawers
- below six same drawers in two vertical rows
- maneuvering handle situated at front side of cabinet
- castors with diameter 100 mm, two castors with brakes
- table top dimensions: 650x600 mm
- external dimensions [mm]:

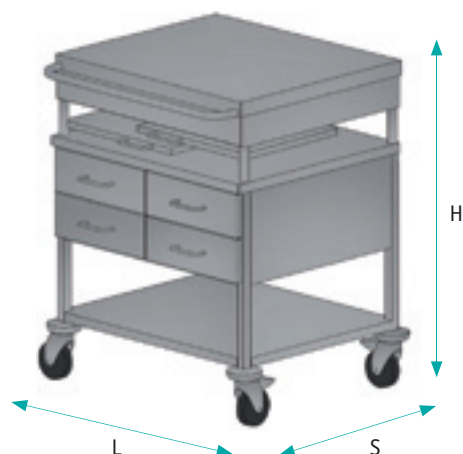
	L	S	H
2-325	720	715	985



2-330 Anesthesia trolley

- cabinet - assists
- two movable tabletops under main table top
- four same size drawers in two vertical rows in upper part of trolley
- drawers on ball bearing slides
- shelf below drawers
- distance between shelf and drawer 200 mm
- maneuvering handle situated at front side of cabinet
- castors with diameter 100 mm, two castors with brakes
- table top dimensions: 650x600 mm
- external dimensions [mm]:

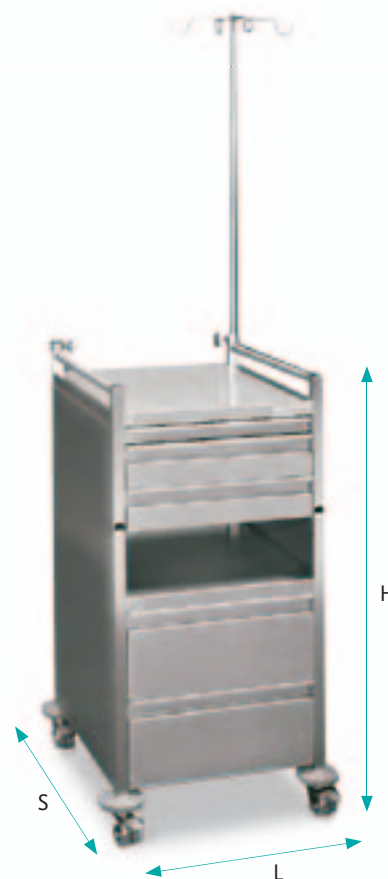
	L	S	H
2-330	720	715	985



2-340 Anesthesia trolley

- cabinet with four drawers and sliding tabletop
- table top with upraised edges, with three sides rails
- two small drawers in upper part, under sliding tabletop
- two big drawers in lower part
- drawers on ball bearing slides
- distance between drawers 260 mm, serving as shelf
- castors with diameter 50 mm, two castors with brakes
- table top dimensions: 500x400 mm
- external dimensions [mm]:

	L	S	H
2-340	470	570	1100





2-345

Emergency trolley with four drawers and accessories

- emergency trolley
- two drawers on ball bearing slides, under the table top
- shelf below drawers
- upstand with eleven containers – six and five in two rows
- IV stand assembled to trolley
- tray, container for used needles and waste bin on the right side of the trolley
- two containers for catheters on the left side of the trolley
- castors with diameter 100 mm, two castors with brakes
- castors with non smudging wheels,
- castors with plastic bumpers
- maneuvering handle situated in front of cabinet
- table top dimensions: 650x600 mm
- external dimensions (without accessories) [mm]:

	L	S	H
2-345	720	715	985



2-346

Emergency trolley with four drawers and accessories

- emergency trolley
- four drawers on ball bearing slides, under the table top
- upstand with eleven containers – six and five in two rows
- IV stand assembled to trolley
- tray, container for used needles and waste bin on the right side of the trolley
- two containers for catheters on the left side of the trolley
- castors with diameter 100 mm, two castors with brakes
- castors with non smudging wheels,
- castors with plastic bumpers
- maneuvering handle situated in front of cabinet
- table top dimensions: 650x600 mm
- external dimensions (without accessories) [mm]:

	L	S	H
2-346	720	715	985



2-930, 2-931, 2-932

Guard rail

- rails made of stainless steel 0H18N9
- three slide rails - no 2-930
- two slide rails - no 2-931
- one slide rail - no 2-932

2-938

Bucket 7l with holder

- made of stainless steel 0H18N9



2-939

Waste wire basket

- made of stainless steel 0H18N9
- external dimensions: 200x290x200 mm



2-942

Drip bottle holder

- made of stainless steel 0H18N9
- to be assembled to anesthesia trolleys



2-945

Tray with holder

- made of stainless steel 0H18N9
- external dimensions: 300x300x70 mm



2-946

Disposable box for needles

- made of plastic
- capacity: 0,7 l



2-951

Plastic containers - upstand

- made of plastic
- upstand with four containers
- upstand with five containers
- upstand with six containers



2-950

Container for catheter

- made of stainless steel 0H18N9





Furniture
and medical
equipment



group 5

Bowl holders, buckets, steps, IV stands and stools are made of stainless steel PN 0H18N9, other symbols for this kind of steel: W.NR 1.4301, AISI 304.

Stools upholstery is made of high quality materials which are resistant to disinfectants used in operating theatres. Standard color is green, other colors available upon request.

In stools no 2-040, 2-042, 2-043 foot ring can be additionally installed on the base.

Bowl holders, buckets, IV stands and stools are equipped with high quality castors with non smudging wheels.



We reserve the right to change design, constructions and dimensions of our products in order to improve their functionality and modernity.



2-035, 2-036

Bucket mobile

- removable bucket on five arm base with five castors diameter 50 mm, without brakes
- bucket capacity – 10 l
- external dimensions [mm]:

	L	S	H	
2-035	320	320	400	with handle 750 mm
2-036	320	320	400	without handle



2-031, 2-032

Bowl holder

2-031

- product with CE mark
- bowl stand on five arm base with five castors diameter 50 mm (two with brakes)
- 2-031-1 – one removable bowl 3 l
- 2-031-2 – one removable bowl 6 l
- permissible load of bowl stand 2-031: 6 kg

2-032

- product with CE mark
- bowl stand on five arm base with five castors diameter 50 mm (two with brakes)
- 2-032-1 – two removable bowls 3 l
- 2-032-2 – two removable bowls 6 l
- permissible load of bowl stand 2-032: 12 kg
- external dimensions [mm]:

	L	S	H
2-031-1	560	560	850
2-031-2	560	560	850
2-032-1	560	580	850
2-032-2	560	580	850



2-033**Heated bowl with holder**

- bowl stand on five arm base with five castors diameter 50 mm, all castors with brakes
- height adjusted from 1000 to 1140 mm by hydraulic pump with foot lever
- power – 230V/600W
- cable length 3 meters
- two stainless steel bowls with capacity of 6 l
- **2-033-1** thermoregulated heated plate from 0-120°C, adjustment by knob, max temperature of heated fluid 70°C
- **2-033-2** microprocessor thermostate – plate heat from 0 to 100°C, electronically adjusted heat; max temperature of heated fluid 70°C
- product with CE mark
- external dimensions [mm]:

	L	S	H
2-033	560	560	1000/1140





2-040, 2-042

Medical stool with manual height adjustment for medical examinations

- round seat with diameter 350 mm, gas spring supported height adjustment by hand lever
- **2-040** – metal seat
- **2-042** – upholstered seat, standard color green, or different according to pallet of colors
- product with CE mark
- five arm base with castors diameter 50 mm, two castors with brakes
- permissible load: 135 kg
- external dimensions [mm]:

	L	S	H
2-040	560	560	460/600
2-042	560	560	490/630

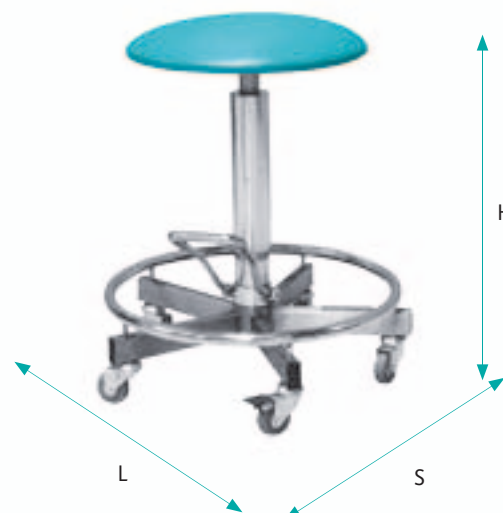


2-041-H, 2-045-H

Medical stool with hydraulic height adjustment for medical examinations

- round seat with diameter 350 mm, hydraulic height adjustment by foot lever
- **2-041 H** – metal seat
- **2-045 H** – upholstered seat, standard color green, or different according to pallet of colors
- product with CE mark
- five arm base with ring
- castors diameter 50 mm, two castors with brakes
- permissible load: 135 kg
- external dimensions [mm]:

	L	S	H
2-041-H	560	560	460/600
2-045-H	560	560	490/630



2-043, 2-044-H**Medical stool with backrest for medical examinations**

- stool with ergonomic, height adjusted back rest
- round upholstered seat with diameter 350 mm, standard color green, or different according to pallet of colors
- five arm base with castors diameter 50 mm, two castors with brakes
- product with CE mark
- **2-043** – pneumatic height adjustment by hand lever, without foot ring
- **2-044-H** – hydraulic height adjustment by foot lever, with foot ring
- permissible load: 135 kg
- external dimensions [mm]:

	L	S	H
2-043, 2-044-H	560	560	490/630

**2-046****Medical stool with ergonomic seat**

- ergonomic seat, saddle shaped, resistant to standard operating theatre disinfecting means
- five arm base with castors diameter 50 mm, two castors with brakes
- permissible load: 135 kg
- external dimensions [mm]:

	L	S	H
2-046	560	560	460/600



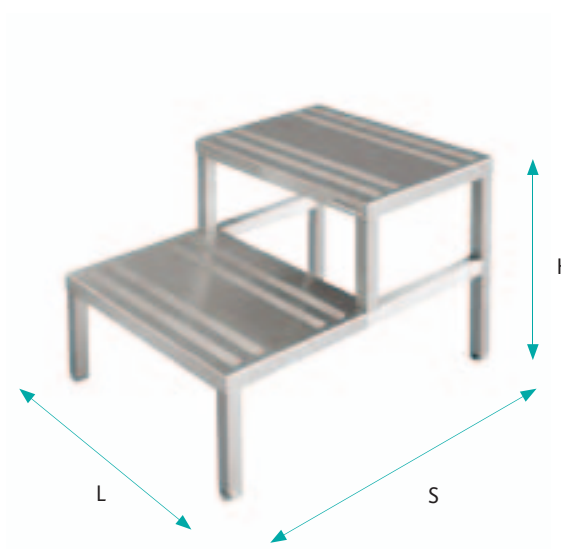


2-050

Surgical platform

- two steps foot stool
- four small legs with level adjustment possibility
- steps with anti slippery stripes
- external dimensions [mm]:

	L	S	H
2-050	500	650	410

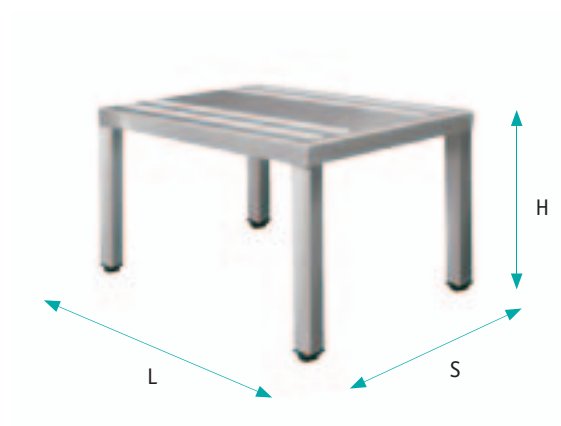


2-051

Surgical platform

- one step foot stool
- four small legs with level adjustment possibility
- steps with anti slippery stripes
- external dimensions:

	L	S	H
2-051-1	500	300	120
2-051-2	500	300	250
2-051-3	500	300	300



2-020

Drip bottle holder

- stand with hooks for infusion fluid containers
- height adjusted by hand from 1200 to 2150 mm
- five arm base with castors diameter 50 mm, no brakes
- **2-020** – stand with four hooks
- **2-020-1** – stand with two hooks
- **2-020-2** – stand with two bottle holders
- **2-020-3** – stand with hooks and tray 250x150 mm
- permissible load: 8 kg
- product with CE mark
- external dimensions [mm]: 560x560x1200/2150 mm





Apparatus trolleys are made of stainless steel PN 0H18N9, other symbols for this kind of steel: W.NR 1.4301, AISI 304.

During the design process apparatus trolleys can be adapted to fit customer's devices.

In trolleys with not adjustable shelves, in drawer there are used ball slides. In trolleys no 2-560, 2-561, 2-562 shelves can be adjusted to the customer's devices.

In shelves there are used the ball bearing slides. Standard trolleys are equipped with high quality castors with non smudging wheels.

Option: We can manufacture powder painted trolleys according to RAL color palette.



We reserve the right to change design, constructions and dimensions of our products in order to improve their functionality and modernity.



2-550, 2-551 Trolley for medical devices

- **2-550** – two fixed shelves (without height adjustment) and drawer in lower part of trolley
- distance between shelves: 400 mm
- distance between shelf and drawer: 180 mm
- **2-551** – three fixed shelves (without height adjustment) and drawer in lower part of trolley
- distances between shelves: 180 mm
- external height of drawer's front – 150 mm (internal 110 mm)
- castors with diameter 100 mm, two castors with brakes
- external dimensions [mm]:

	L	S	H
2-550, 2-551	650	550	1300



2-552 Trolley for medical devices

- four fixed shelves and drawer in lower part of trolley
- distances between shelves: 180 mm
- external height of drawer's front – 150 mm (internal – 110 mm)
- castors with diameter 100 mm, two castors with brakes
- external dimensions [mm]:

	L	S	H
2-552	650	550	1300



2-560, 2-561 Trolley for medical devices

- **2-560** – two adjustable shelves and drawer in lower part of trolley
- **2-561** – three adjustable shelves and drawer in lower part of trolley
- external height of drawer's front – 150 mm (internal – 110 mm)
- two maneuvering handles
- trolley with six electric sockets
- castors with diameter 100 mm, two castors with brakes
- external dimensions [mm]:

	L	S	H
2-560, 2-561	650	700	1470



2-562 Trolley for medical devices

- trolley with four adjustable shelves and drawer in lower part of trolley
- external height of drawer's front – 150 mm (internal – 110 mm)
- two maneuvering handles
- trolley with oxygen bottle holder, six electric sockets and camera holder
- castors with diameter 100 mm, two castors with brakes
- external dimensions [mm]:

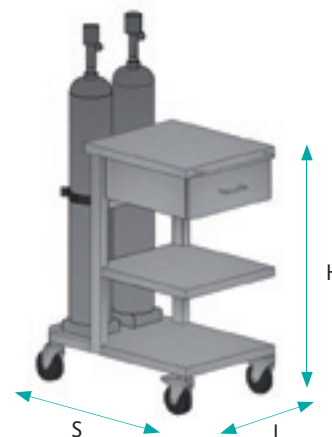
	L	S	H
2-562	650	700	1470



2-570 Trolley for medical devices

- trolley with one drawer in upper part and two shelves, middle one fixed
- distance between shelves 240 mm
- flat table top and shelves
- maneuvering handle
- oxygen bottle holders
- castors with diameter 100 mm, two castors with brakes
- external dimensions [mm]

	L	S	H
2-570	420	650	860



2-571 Trolley for medical devices

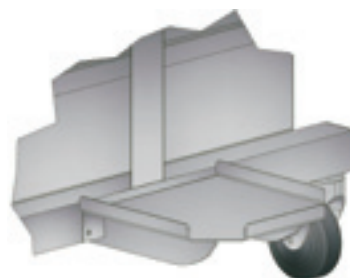
- trolley with one drawer in the middle, and two shelves
- distance between shelves 240 mm
- flat table top and shelves
- maneuvering handle
- oxygen bottle holders
- castors with diameter 100 mm, two castors with brakes
- external dimensions [mm]:

	L	S	H
2-571	420	650	860



**2-985****Oxygen bottle holder**

- holder with protecting straps

**2-986****Keyboard shelf**

- made of stainless steel 0H18N9
- adapted to trolley's dimensions

TROLLEYS FOR LINEN TRANSPORTATION



Furniture
and medical
equipment



TROLLEYS FOR LINEN TRANSPORTATION

Trolleys for clean and dirty linen are made of stainless steel pN 0h18N9, other symbols for this kind of steel: W.NR 1 4301, AISI 304

As standard catalogue products we offer single, double and triple trolleys in multiple sizes 35 l, 60 l, 100 l and 120 l, with cover or without cover.

Trolleys are equipped with high quality castors with non smudging wheels.

Option: covers can be ordered in following colours: red, blue and white.



We reserve the right to change design, constructions and dimensions of our products in order to improve their functionality and modernity.



2-100, 2-101

Trolley for plastic bags

- single trolley
- **2-100** – without cover
- **2-101** – with cover opened by foot lever
- special clips for plastic bags
- castors with diameter 50 mm, two castors with brakes
- external dimensions [mm]:

	L	S	H	
2-100-1	320	380	560	30 l
2-100-2	380	440	710	60 l
2-100-3	415	440	910	100 l
2-100-4	415	440	1050	120 l
2-101-1	320	380	560	30 l
2-101-2	380	440	710	60 l
2-101-3	415	440	910	100 l
2-101-4	415	440	1050	120 l

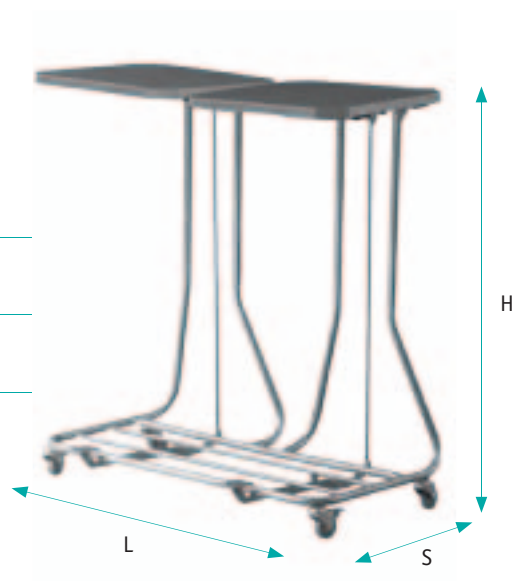


2-102, 2-103

Trolley for plastic bags

- double trolley
- **2-102** - without cover
- **2-103** - with cover opened by foot lever
- special clips for plastic bags
- castors with diameter 50 mm, two castors with brakes
- external dimensions [mm]:

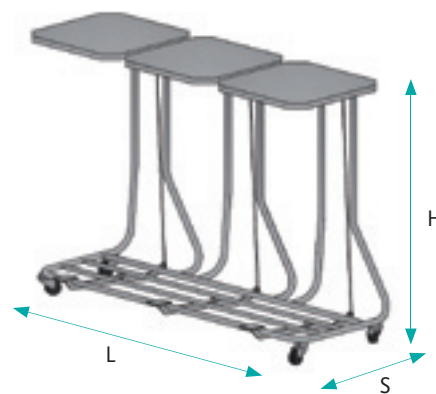
	L	S	H	
2-102-1	780	440	710	60 l
2-102-2	820	440	910	100 l
2-102-3	820	440	1050	120 l
2-103-1	780	440	710	60 l
2-103-2	820	440	910	100 l
2-103-3	820	440	1050	120 l



2-104, 2-105 Trolley for plastic bags

- triple trolley
- **2-104** - without cover
- **2-105** - with cover opened by foot lever
- special clips for plastic bags
- castors with diameter 50 mm, two castors with brakes
- external dimensions [mm]:

	L	S	H	
2-104-1	1260	440	710	60 l
2-104-2	1260	440	910	100 l
2-104-3	1260	440	1050	120 l
2-105-1	1260	440	710	60 l
2-105-2	1260	440	910	100 l
2-105-3	1260	440	1050	120 l



2-110 Trolley for clean and dirty linen

- trolley with two shelves, without doors
- table top with protecting rails 600x600 mm
- on back side of the trolley - holder for bag 120 L., without cover
- castors with diameter 100 mm, two castors with brakes
- castors with plastic bumpers which protect trolley from damages
- external dimensions [mm]:

	L	S	H
2-110	670	1170	1100



2-111 Trolley for clean and dirty linen

- trolley with two shelves and single doors
- table top with rails 600x600 mm
- on back side of the trolley - holder for bag 120 L., with cover open by foot lever
- castors with diameter 100 mm, two castors with brakes
- castors with plastic bumpers which protect trolley from damages
- external dimensions [mm]:

	L	S	H
2-111	670	1170	1100





Furniture
and medical
equipment



Medical cabinets are made of stainless steel PN 0H18N9, other symbols for this kind of steel: W.NR 1.4301, AISI 304. Optionally cabinets can be manufactured of powder painted steel in colors according to RAL palette.

As standard catalogue products we offer cabinets with one door and two doors, completely made of steel or with glass, high or low, free standing or wall hanging.

In ALVO system of stainless steel panels which is mounted in operating theatres we offer also cabinets which are installed in walls. As standard doors are open right to left side, opposite side can be ordered upon request. Doors and sides are glassed with safe glass which in standard is clear, frosted glass can be ordered upon request. Shelves are made of high quality stainless steel 0H18N9. We can also install lock and hinges which allows door 270° degrees opening.



We reserve the right to change design, constructions and dimensions of our products in order to improve their functionality and modernity.

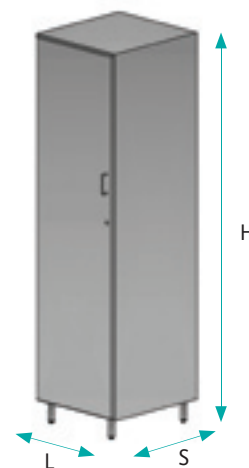


2-250

Medical cabinet

- cabinet with full wing doors
- doors with lock and handle
- five adjustable shelves made of stainless steel 0H18N9
- cabinet on 140 mm legs with level adjustment
- external dimensions [mm]:

	L	S	H	
2-250-1	400	470	1800	
2-250-2	500	470	1800	
2-250-3	600	470	1800	
2-250-4	400	580	2000	modular furniture
2-250-5	500	580	2000	modular furniture
2-250-6	600	580	2000	modular furniture

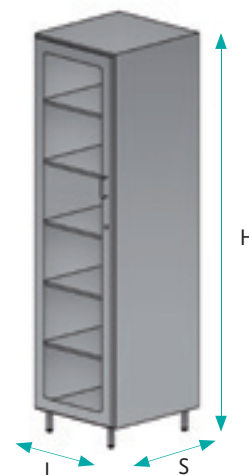


2-251

Medical cabinet

- cabinet with glass wing doors
- doors with lock and handle
- five adjustable shelves made of stainless steel 0H18N9
- cabinet on 140 mm legs with level adjustment
- external dimensions [mm]:

	L	S	H	
2-251-1	400	470	1800	
2-251-2	500	470	1800	
2-251-3	600	470	1800	
2-251-4	400	580	2000	modular furniture
2-251-5	500	580	2000	modular furniture
2-251-6	600	580	2000	modular furniture

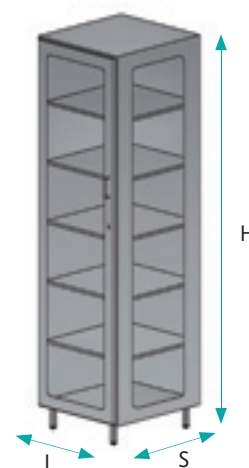


2-252

Medical cabinet

- cabinet with wing glass doors and glass sides
- doors with lock and handle
- five adjustable shelves made of stainless steel 0H18N9
- cabinet on 140 mm legs with level adjustment
- external dimensions [mm]:

	L	S	H	
2-252-1	400	470	1800	
2-252-2	500	470	1800	
2-252-3	600	470	1800	
2-252-4	400	580	2000	modular furniture
2-252-5	500	580	2000	modular furniture
2-252-6	600	580	2000	modular furniture



2-253

Medical cabinet

- cabinet with upper and lower part, full wing doors
- doors with lock and handle
- upper part with four adjustable shelves
- lower part with one fixed shelf
- cabinet on 140 mm legs with level adjustment
- external dimensions [mm]:

	L	S	H	
2-253-1	400	470	1800	
2-253-2	500	470	1800	
2-253-3	600	470	1800	
2-253-4	400	580	2000	modular furniture
2-253-5	500	580	2000	modular furniture
2-253-6	600	580	2000	modular furniture

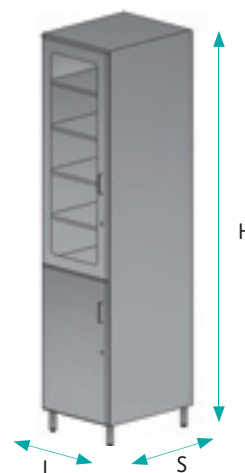


2-254

Medical cabinet

- cabinet with upper glass doors, lower part with full doors
- single wing doors
- doors with lock and handle
- upper part with four adjustable shelves
- lower part with one fixed shelf
- cabinet on 140 mm legs with level adjustment
- external dimensions [mm]:

	L	S	H	
2-254-1	400	470	1800	
2-254-2	500	470	1800	
2-254-3	600	470	1800	
2-254-4	400	580	2000	modular furniture
2-254-5	500	580	2000	modular furniture
2-254-6	600	580	2000	modular furniture

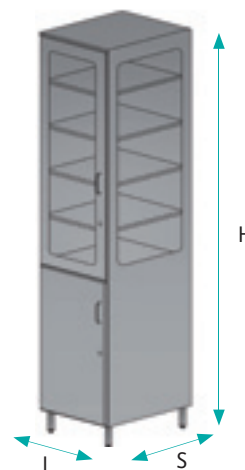


2-255

Medical cabinet

- cabinet with upper glass doors and glass sides, lower part full doors
- single wing doors
- doors with lock and handle
- upper part with four adjustable shelves
- lower part with one fixed shelf
- cabinet with skirting board or on 140 mm legs with leveling adjustment
- external dimensions [mm]:

	L	S	H	
2-255-1	400	470	1800	
2-255-2	500	470	1800	
2-255-3	600	470	1800	
2-255-4	400	580	2000	modular furniture
2-255-5	500	580	2000	modular furniture
2-255-6	600	580	2000	modular furniture

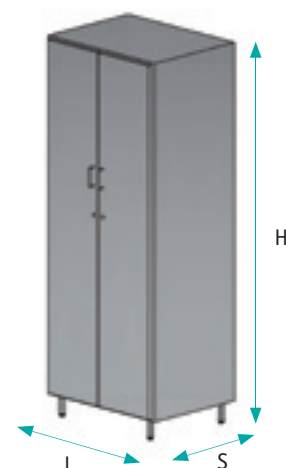




2-260 Medical cabinet

- cabinet with two wings full doors
- doors with lock and handle
- five adjustable shelves
- cabinet with skirting board or on 140 mm legs with leveling adjustment
- external dimensions [mm]:

	L	S	H	
2-260-1	800	470	1800	
2-260-2	1000	470	1800	
2-260-3	1200	470	1800	
2-260-4	800	580	2000	modular furniture
2-260-5	1000	580	2000	modular furniture
2-260-6	1200	580	2000	modular furniture



2-261 Medical cabinet

- two wings cabinet, upper and lower part with double, full doors, with lock and handle
- upper part with four adjustable shelves
- lower part with one fixed shelf
- cabinet on 140 mm legs with level adjustment
- external dimensions [mm]:

	L	S	H	
2-261-1	800	470	1800	
2-261-2	1000	470	1800	
2-261-3	1200	470	1800	
2-261-4	800	580	2000	modular furniture
2-261-5	1000	580	2000	modular furniture
2-261-6	1200	580	2000	modular furniture



2-262 Medical cabinet

- two wings cabinet with full sliding doors
- doors with lock and handle
- five adjustable shelves
- cabinet on 140 mm legs with level adjustment
- external dimensions [mm]:

	L	S	H	
2-262-1	800	450	1800	
2-262-2	1000	450	1800	
2-262-3	1200	450	1800	
2-262-4	800	580	2000	modular furniture
2-262-5	1000	580	2000	modular furniture
2-262-6	1200	580	2000	modular furniture



2-263 Medical cabinet

- cabinet with sliding full doors in upper and lower part
- doors with lock and handle
- upper part with four adjustable shelves
- lower part with one fixed shelf
- cabinet on 140 mm legs with level adjustment
- external dimensions [mm]:

	L	S	H	
2-263-1	800	450	1800	
2-263-2	1000	450	1800	
2-263-3	1200	450	1800	
2-263-4	800	580	2000	modular furniture
2-263-5	1000	580	2000	modular furniture
2-263-6	1200	580	2000	modular furniture



2-264 Medical cabinet

- cabinet with both sides sliding doors
- doors with lock and handle
- upper part with four adjustable shelves
- lower part with one fixed shelf
- cabinet on 140 mm legs with level adjustment
- external dimensions [mm]:

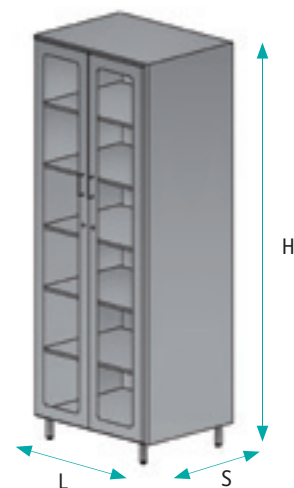
	L	S	H	
2-264-1	800	450	1800	
2-264-2	1000	450	1800	
2-264-3	1200	450	1800	
2-264-4	800	580	2000	modular furniture
2-264-5	1000	580	2000	modular furniture
2-264-6	1200	580	2000	modular furniture



2-265 Medical cabinet

- cabinet with two wing glass doors
- doors with lock and handle
- five adjustable shelves
- cabinet on 140 mm legs with level adjustment
- external dimensions [mm]:

	L	S	H	
2-265-1	800	470	1800	
2-265-2	1000	470	1800	
2-265-3	1200	470	1800	
2-265-4	800	580	2000	modular furniture
2-265-5	1000	580	2000	modular furniture
2-265-6	1200	580	2000	modular furniture



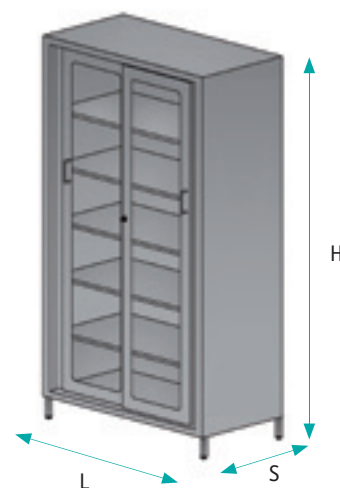


2-266

Medical cabinet

- cabinet with glass sliding doors
- doors with lock and handle
- five adjustable shelves
- cabinet on 140 mm legs with level adjustment
- external dimensions [mm]:

	L	S	H	
2-266-1	800	450	1800	
2-266-2	1000	450	1800	
2-266-3	1200	450	1800	
2-266-4	800	580	2000	modular furniture
2-266-5	1000	580	2000	modular furniture
2-266-6	1200	580	2000	modular furniture

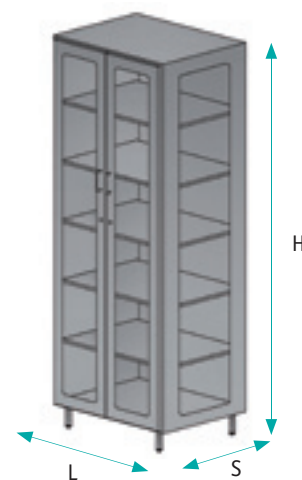


2-267

Medical cabinet

- two wings cabinet with glass doors and glass sides
- doors with lock and handle
- five adjustable shelves
- cabinet on 140 mm legs with level adjustment
- external dimensions [mm]:

	L	S	H	
2-267-1	800	470	1800	
2-267-2	1000	470	1800	
2-267-3	1200	470	1800	
2-267-4	800	580	2000	modular furniture
2-267-5	1000	580	2000	modular furniture
2-267-6	1200	580	2000	modular furniture



2-268

Medical cabinet

- two wings cabinet with sliding glass doors and glass sides
- doors with lock and handle
- five adjustable shelves
- cabinet on 140 mm legs with level adjustment
- external dimensions [mm]:

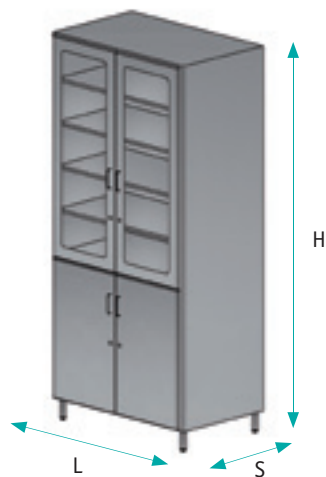
	L	S	H	
2-268-1	800	450	1800	
2-268-2	1000	450	1800	
2-268-3	1200	450	1800	
2-268-4	800	580	2000	modular furniture
2-268-5	1000	580	2000	modular furniture
2-268-6	1200	580	2000	modular furniture



2-269 Medical cabinet

- two wings cabinet, upper part with glass doors, lower part with full doors
- doors with lock and handle
- upper part with four adjustable shelves
- lower part with one fixed shelf
- cabinet on 140 mm legs with level adjustment
- external dimensions [mm]:

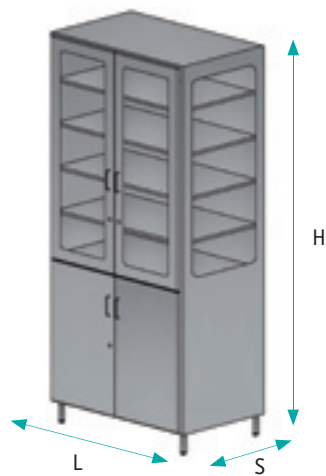
	L	S	H	
2-269-1	800	470	1800	
2-269-2	1000	470	1800	
2-269-3	1200	470	1800	
2-269-4	800	580	2000	modular furniture
2-269-5	1000	580	2000	modular furniture
2-269-6	1200	580	2000	modular furniture



2-270 Medical cabinet

- two wings cabinet, upper part with glass doors and glass sides, lower part with full doors
- doors with lock and handle
- upper part with four adjustable shelves
- lower part with one fixed shelf
- cabinet on 140 mm legs with level adjustment
- external dimensions [mm]:

	L	S	H	
2-270-1	800	470	1800	
2-270-2	1000	470	1800	
2-270-3	1200	470	1800	
2-270-4	800	580	2000	modular furniture
2-270-5	1000	580	2000	modular furniture
2-270-6	1200	580	2000	modular furniture



2-271 Medical cabinet

- cabinet with upper part with glass doors, lower part with full doors
- sliding doors
- doors with lock and handle
- upper part with four adjustable shelves
- lower part with one fixed shelf
- cabinet on 140 mm legs with level adjustment
- external dimensions [mm]:

	L	S	H	
2-271-1	800	450	1800	
2-271-2	1000	450	1800	
2-271-3	1200	450	1800	
2-271-4	800	580	2000	modular furniture
2-271-5	1000	580	2000	modular furniture
2-271-6	1200	580	2000	modular furniture





2-272

Medical cabinet

- cabinet with upper part with glass doors and glass sides, lower part with full doors
- sliding doors
- doors with lock and handle
- upper part with four adjustable shelves
- lower part with one fixed shelf
- cabinet on 140 mm legs with level adjustment
- external dimensions [mm]:

	L	S	H	
2-272-1	800	450	1800	
2-272-2	1000	450	1800	
2-272-3	1200	450	1800	
2-272-4	800	580	2000	modular furniture
2-272-5	1000	580	2000	modular furniture
2-272-6	1200	580	2000	modular furniture



2-273

Medical wardrobe

- two part wardrobe made of stainless steel 0H18N9 or powder painted steel ST3, powder coated in color from RAL pallet
- wing doors with lock, with ventilation
- one shelf and pole in each part
- wardrobe with bench
- cabinet on 140 mm legs with level adjustment
- wardrobe dimensions: 650x450x1800 mm
- external dimensions [mm]:

	L	S	H
2-273	650	750	2100



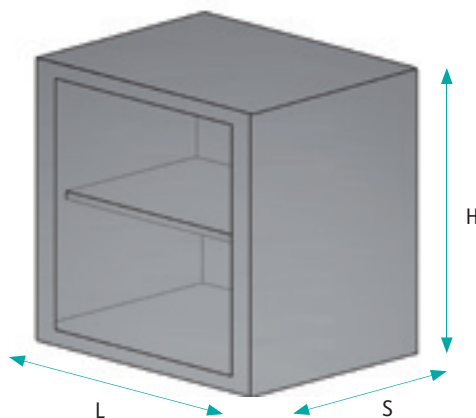
2-280

Wall-mounted medical cabinet

modular furniture

- hanging cabinet
- cabinet without doors
- one shelf inside
- external dimensions [mm]:

	L	S	H
2-280-1	400	350	600
2-280-2	500	350	600
2-280-3	600	350	600
2-280-4	800	350	600
2-280-5	1000	350	600
2-280-6	1200	350	600



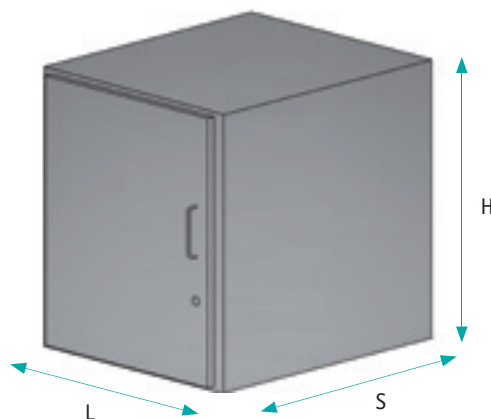
2-281

Wall-mounted medical cabinet

modular furniture

- hanging cabinet
- full single doors
- one shelf inside
- external dimensions [mm]:

	L	S	H
2-281-1	400	350	600
2-281-2	500	350	600
2-281-3	600	350	600



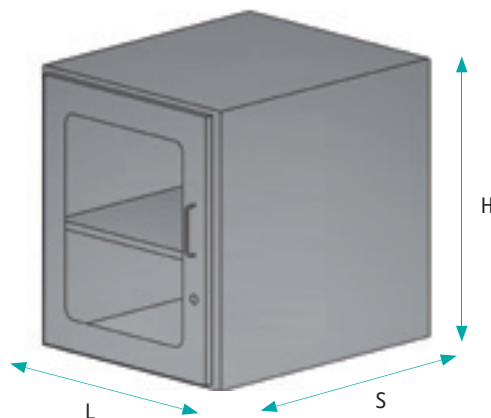
2-282

Wall-mounted medical cabinet

modular furniture

- hanging cabinet
- single glass doors
- one shelf inside
- external dimensions [mm]:

	L	S	H
2-282-1	400	350	600
2-282-2	500	350	600
2-282-3	600	350	600





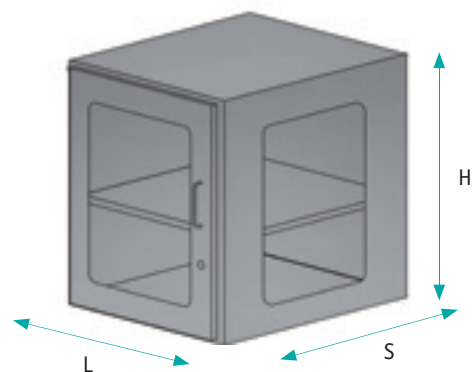
2-283

Wall-mounted medical cabinet

modular
furniture

- hanging cabinet
- single glass doors and glass sides
- one shelf inside
- external dimensions [mm]:

	L	S	H
2-283-1	400	370	600
2-283-2	500	370	600
2-283-3	600	370	600



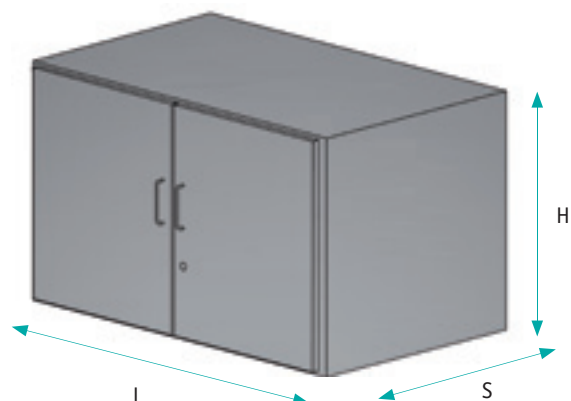
2-284

Wall-mounted medical cabinet

modular
furniture

- hanging cabinet
- two wing full doors
- one shelf inside
- external dimensions [mm]:

	L	S	H
2-284-1	800	370	600
2-284-2	1000	370	600
2-284-3	1200	370	600



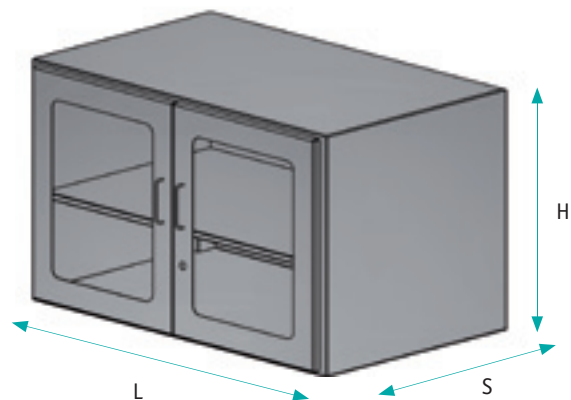
2-285

Wall-mounted medical cabinet

modular
furniture

- hanging cabinet
- two wing glass doors
- one shelf inside
- external dimensions [mm]:

	L	S	H
2-285-1	800	370	600
2-285-2	1000	370	600
2-285-3	1200	370	600



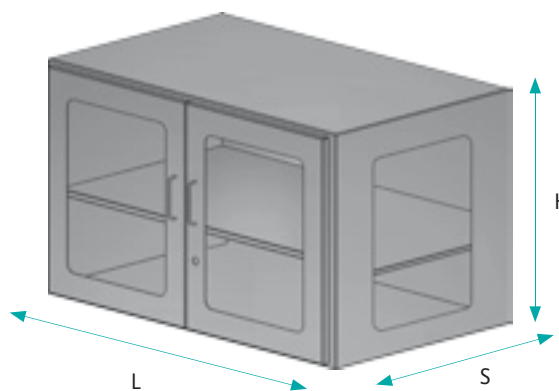
2-286

Wall-mounted medical cabinet

modular furniture

- hanging cabinet
- two wing glass doors and glass sides
- one shelf inside
- external dimensions [mm]:

	L	S	H
2-286-1	800	370	600
2-286-2	1000	370	600
2-286-3	1200	370	600



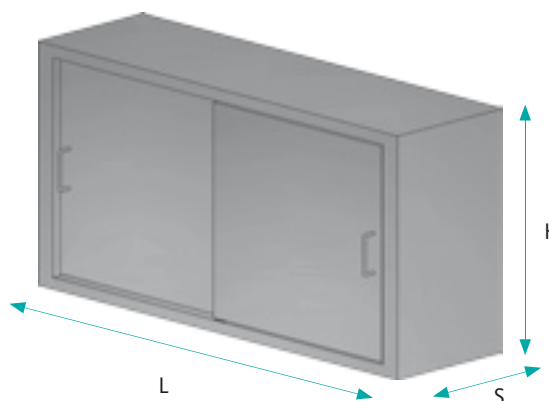
2-287

Wall-mounted medical cabinet

modular furniture

- hanging cabinet
- two full sliding doors
- one shelf inside
- external dimensions [mm]:

	L	S	H
2-287-1	800	350	600
2-287-2	1000	350	600
2-287-3	1200	350	600



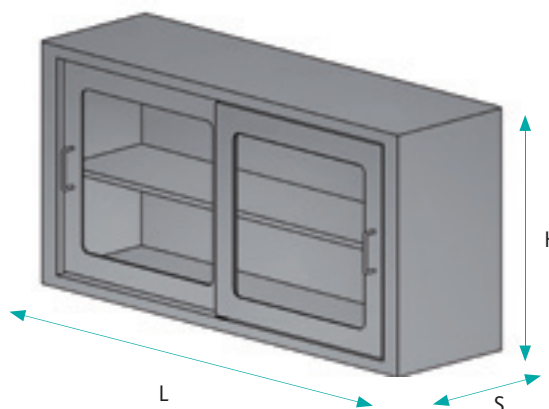
2-288

Wall-mounted medical cabinet

modular furniture

- hanging cabinet
- two sliding glass doors
- one shelf inside
- external dimensions [mm]:

	L	S	H
2-288-1	800	350	600
2-288-2	1000	350	600
2-288-3	1200	350	600





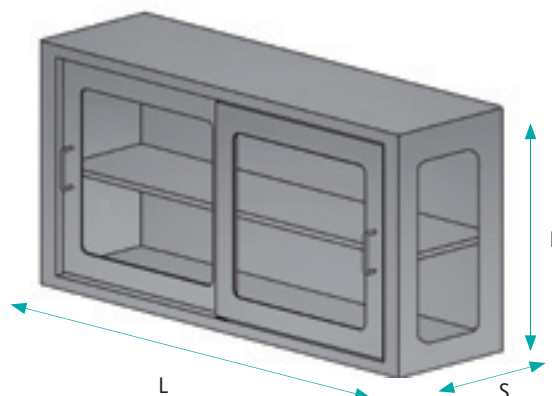
2-289

Wall-mounted medical cabinet

modular
furniture

- hanging cabinet
- two sliding glass doors and glass sides
- one shelf inside
- external dimensions [mm]:

	L	S	H
2-289-1	800	350	600
2-289-2	1000	350	600
2-289-3	1200	350	600



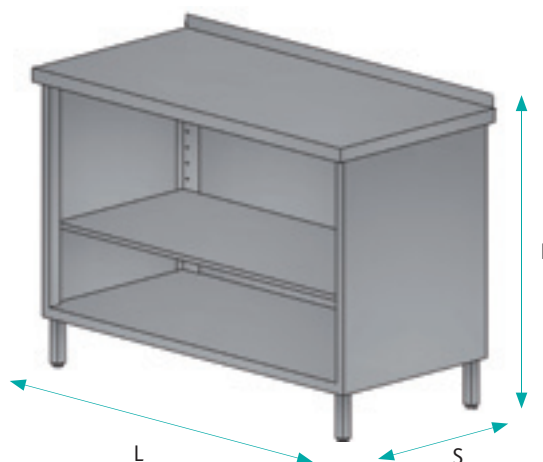
2-290

Opened medical cabinet

modular
furniture

- cabinet without doors
- one shelf inside
- cabinet on legs with leveling adjustment
- external dimensions [mm]:

	L	S	H
2-290-1	450	600	850
2-290-2	600	600	850
2-290-3	800	600	850
2-290-4	1000	600	850
2-290-5	1200	600	850



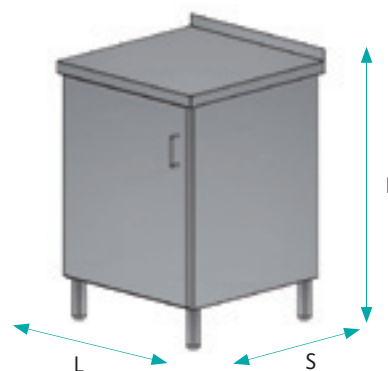
2-291

Medical cabinet

modular
furniture

- cabinet with single full doors
- one shelf inside
- cabinet on legs with leveling adjustment
- external dimensions [mm]:

	L	S	H
2-291-1	400	600	850
2-291-2	500	600	850
2-291-3	600	600	850



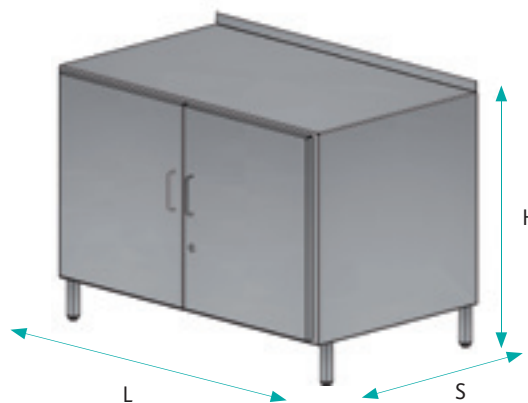
2-292

Medical cabinet

modular furniture

- cabinet with two wings full doors
- one shelf inside
- cabinet on legs with leveling adjustment
- external dimensions [mm]:

	L	S	H
2-292-1	800	600	850
2-292-2	1000	600	850
2-292-3	1200	600	850



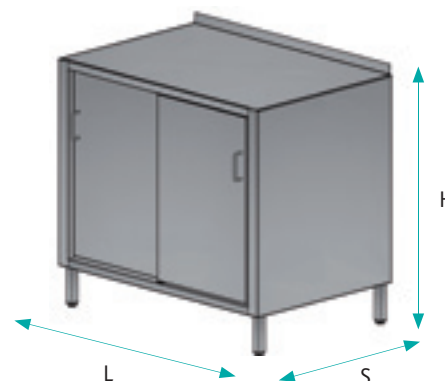
2-293

Medical cabinet

modular furniture

- cabinet with two full sliding doors
- one shelf inside
- cabinet on legs with leveling adjustment
- external dimensions [mm]:

	L	S	H
2-293-1	800	600	850
2-293-2	1000	600	850
2-293-3	1200	600	850



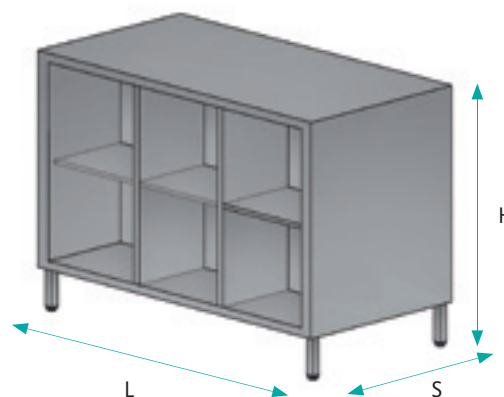
2-294

Cabinet for hospital footwear

modular furniture

- cabinet for shoes
- cabinet on legs with leveling adjustment
- external dimensions [mm]:

	L	S	H	
2-294-1	600	400	600	4 pairs
2-294-2	850	400	600	6 pairs
2-294-3	1100	400	600	8 pairs
2-294-4	1350	400	600	10 pairs





2-971 Drugs cabinet

- external dimensions [mm]:

	L	S	H
2-971-1	220	150	160
2-971-2	300	220	160
2-971-3	400	290	200
2-971-4	500	370	300
2-971-5	400	370	350
2-971-6	400	370	450
2-971-7	400	370	620
2-971-8	400	370	670
2-971-9	500	480	1000
2-971-10	300	300	1250
2-971-11	300	370	1500
2-971-12	600	370	1500
2-971-13	800	500	1500



2-970 Locks for cabinets

- espagnolette lock with cylinder and rotary bar
- box lock with cylinder



2-972 Shelf – stainless steel

- made of stainless steel 0H18N9

2-973 Shelf of safe glass

2-976 Castors

- castors with non smudging wheels

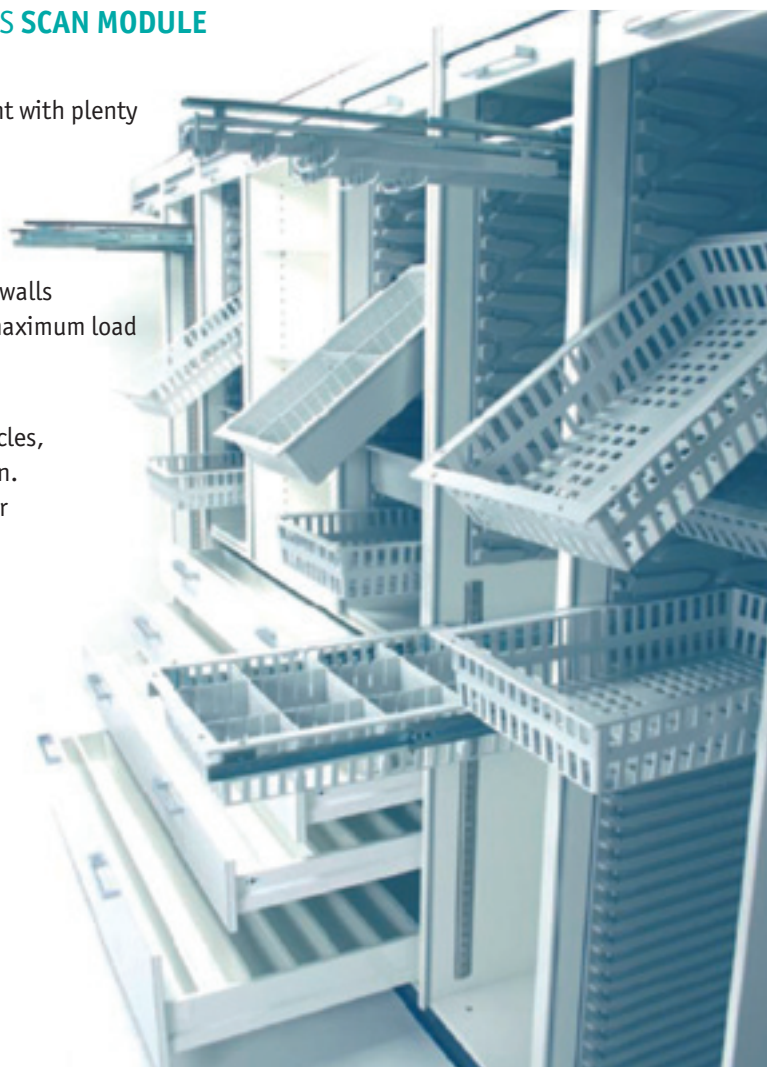


MODULAR FURNITURE WITH BASKETS SCAN MODULE

Modular furniture has functional equipment with plenty of possibilities, which enables adapt itself to individual needs of each ward.

In the offer there are wardrobes, cabinets, transport trolleys – opened and closed, shelves. All carrying walls are equipped with system STOPS and has maximum load capacity 20 kg for insertion. Telescope rail can be loaded with 50 kg for insertion.

Telescope rails are used for very heavy articles, even when there is required 100% insertion. It is possible to use slant insertion in upper parts of wardrobes – to have better view and access to stored articles.



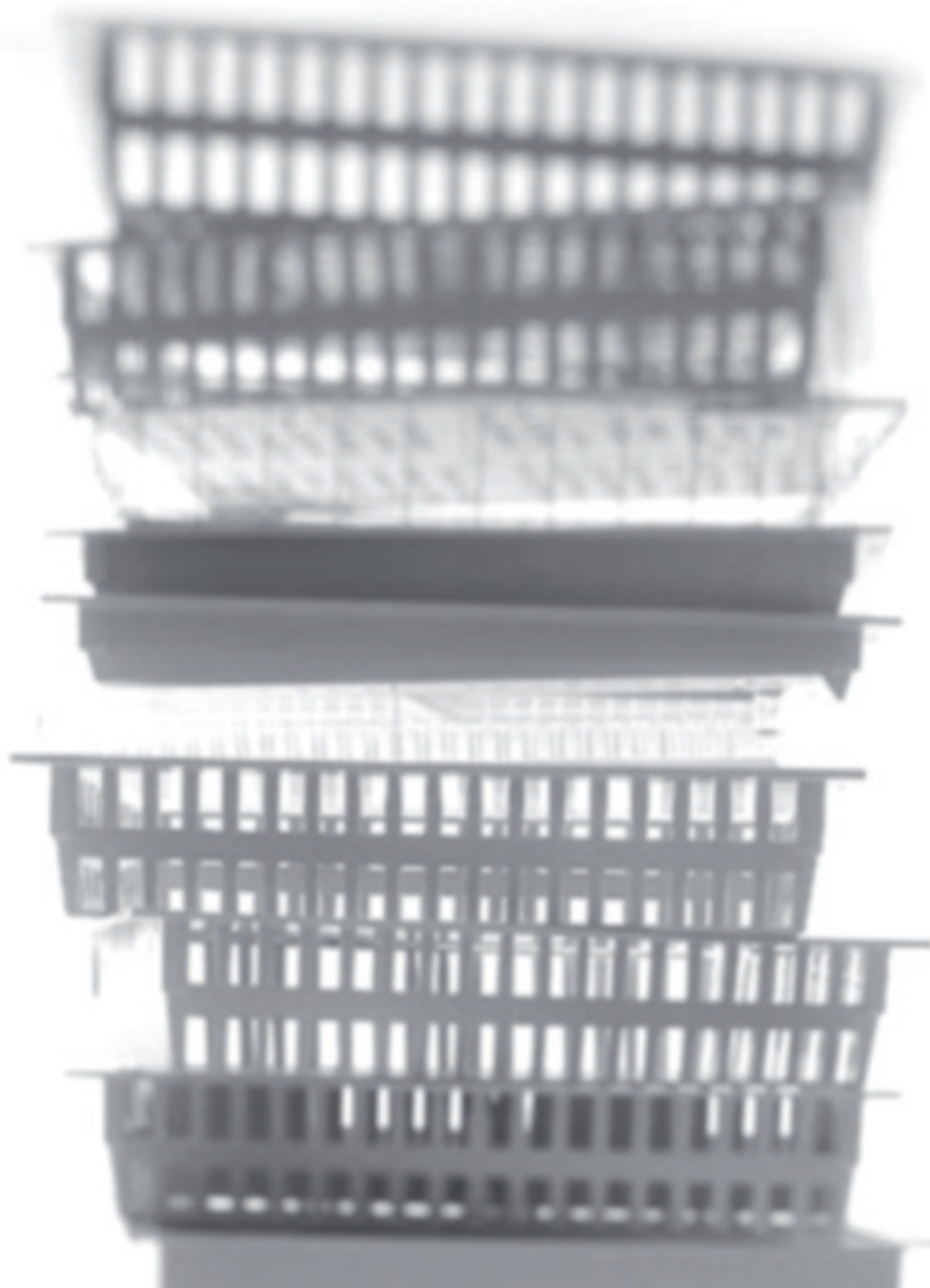


BASKETS – MODULES SCAN MODULE

Baskets – modules can be made of wire and transparent or full plastic.

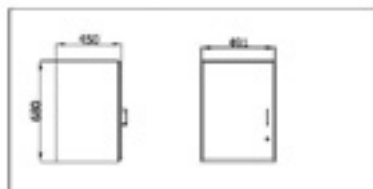
System of baskets is based on standard dimension ISO 600x400 mm and different depths. Dimension of basket 400x300 mm is also available. This basic dimension enables different use of modules in the whole system.

Thanks to these modules it is possible to create individually adapted systems of storage. Each basket can be put one on another, smaller basket can be put to the bigger one, compartments and etiquettes can be put inside the baskets.



Model

Product numbers

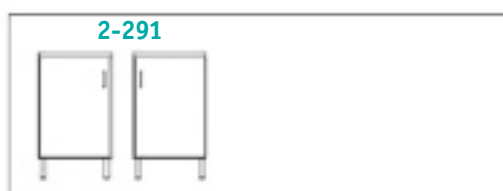
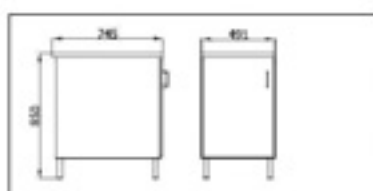


ScanModul

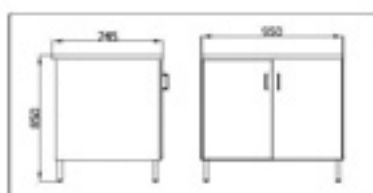
491x450x680 (- Kosz 400x300)
691x545x680 (- Kosz 600x400)



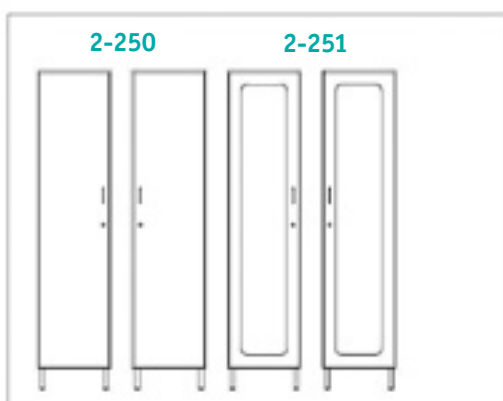
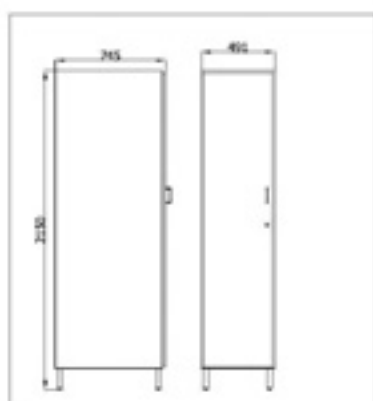
950x450x680 (- Kosz 400x300)
1350x545x680 (- Kosz 600x400)



491x745x850
691x545x850

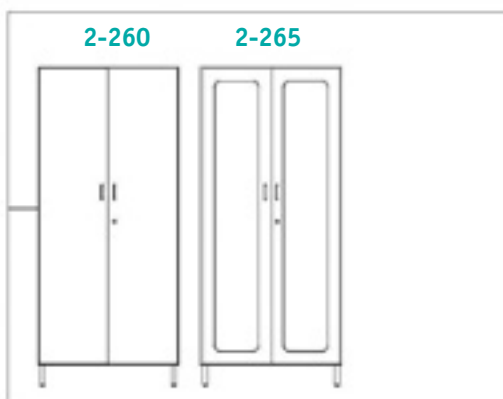


950x745x850
1350x545x850



ScanModul

491x745x2150
691x545x2150



950x745x2150
1350x545x2150

BASKETS, SHELVES AND TROLLEYS FOR STERILE PRODUCTS



Furniture
and medical
equipment



BASKETS, SHELVES AND TROLLEYS FOR STERILE PRODUCTS

Baskets, shelves and trolleys are made of stainless steel PN 0H18N9, other symbols for this kind of steel: W.NR 1.4301, AISI 304.

Baskets, shelves and trolleys are destined for storing and transporting sterile goods.

Trolleys are equipped with high quality castors with non smudging wheels.



We reserve the right to change design, constructions and dimensions of our products in order to improve their functionality and modernity.



2-500

Trolley for transportation sterile products and dressings

- trolley for transportation of six sterilization units
- double wing doors openable on 270°
- hermetic doors with silicone gasket and lock
- two shelves inside
- two maneuvering handles
- castors with diameter 160 mm, two castors with brakes
- castors with non smudging wheels
- external dimensions [mm]:

	L	S	H
2-500-1	960	680	1240
2-500-2	1260	680	1240

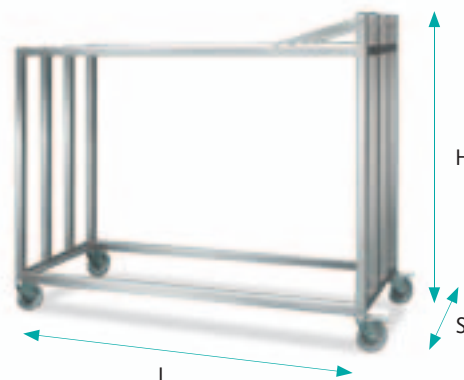


2-510

Paper trolley

- trolley for paper and fabric transportation and storage
- castors with diameter 80 mm, two castors with brakes
- castors with non smudging wheels
- external dimensions [mm]:

	L	S	H
2-510	1100	400	1000



2-520

Transport trolley

- transport trolley
- loading capacity 50 kg
- trolley with maneuvering handle
- castors with diameter 100 mm, two castors with brakes
- castors with non smudging wheels
- external dimensions [mm]:

	L	S	H
2-520	1070	600	850



2-720 Shelves for urine bottles and bed pans

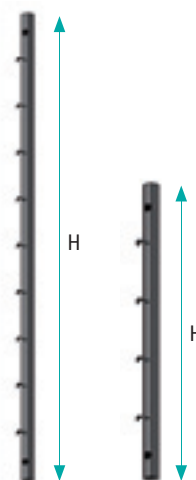
- shelves for urine bottles and bedpans
- four fixed sloping shelves made of bars finished with protective rail
- shelves on 150 mm legs with level adjustment
- external dimensions [mm]:

	L	S	H
2-720-1	1000	400	1800
2-720-2	600	400	1800



2-150 Hook rail wall mounted

- two wall mounted hook rails for hanging sterilization baskets, shelves, hangers
- rails without equipment
- **2-150-1** – H-900 mm
- **2-150-2** – H-1800 mm



2-180 Hook rail mobile

- trolley for hanging sterilization baskets, shelves, hangers
- 16 pairs of hooks, eight pairs on each side of trolley
- two maneuvering handles
- castors with diameter 80 mm, two castors with brakes
- trolley without equipment
- external dimensions [mm]:

	L	S	H
2-180	530	600	1500





2-191 Basket hook trolley

- frame trolley for 10 sterilization baskets
- castors with diameter 100 mm, two castors with brakes
- trolley without equipment
- external dimensions [mm]:

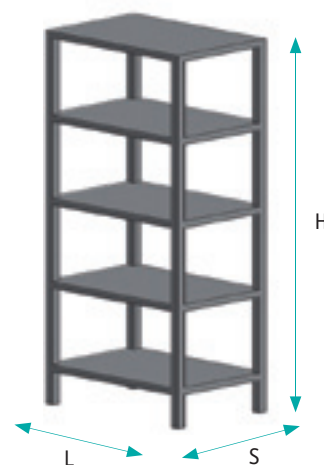
	L	S	H
2-191	720	630	1590



2-1223 Storage shelves

- five full fixed shelves
- shelves on 140 mm legs with level adjustment
- external dimensions [mm]:

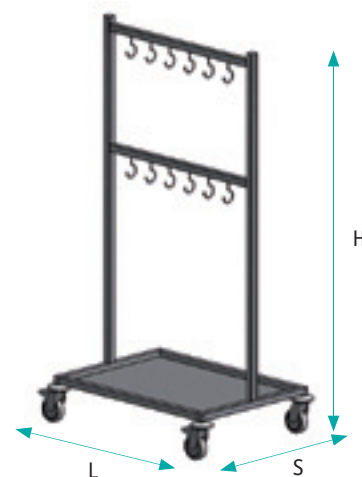
	L	S	H
2-1223-1	600	500	1800
2-1223-2	1000	500	1800
2-1223-3	1200	500	1800



2-162 Tube and OP-towel holder

- made of stainless steel 0H18N9
- external dimensions [mm]:

	L	S	H
2-162	570	250	270

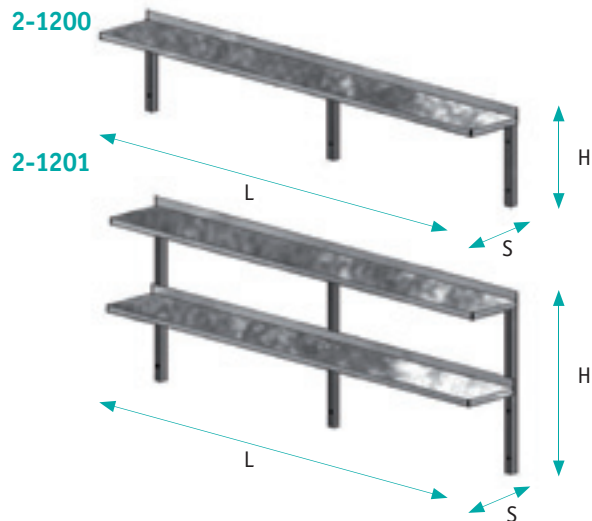


2-1200, 2-1201

Shelf

- wall hanging shelf
- back edge upraised 30 mm, other edges flat
- distance between shelves 300 mm
- external dimensions [mm]:

	L	S	H
2-1200-1	800	200	200
2-1200-2	1000	300	200
2-1200-3	1200	350	200
2-1201-1	800	300	350
2-1201-2	1000	300	350
2-1201-3	1200	300	350

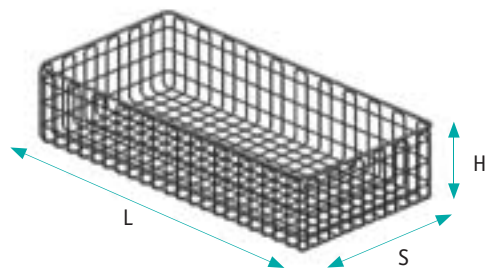


2-151

Sterile goods basket

- made of stainless steel 0H18N9
- basket without front cut out
- dimensions [mm]:

	L	S	H
2-151	580	285	130

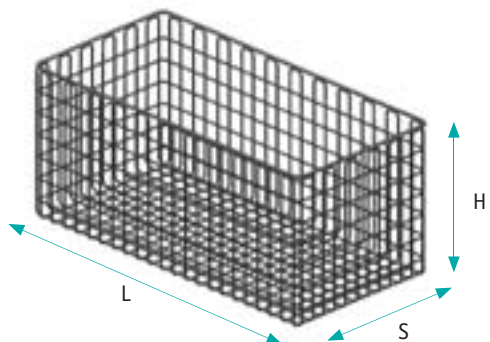


2-152

Sterile goods basket

- made of stainless steel 0H18N9
- basket without front cut out
- dimensions [mm]:

	L	S	H
2-152	580	285	260

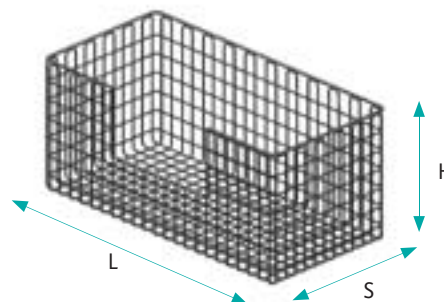




2-153 Sterile goods basket

- made of stainless steel 0H18N9
- basket with front cut out
- dimensions [mm]:

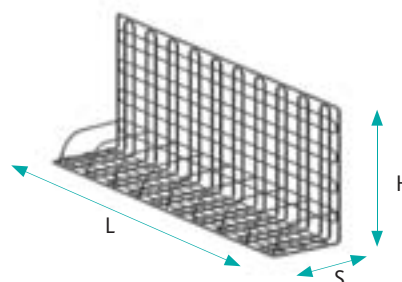
	L	S	H
2-153	580	285	260



2-154 Bed pans shelf

- made of stainless steel 0H18N9
- dimensions [mm]:

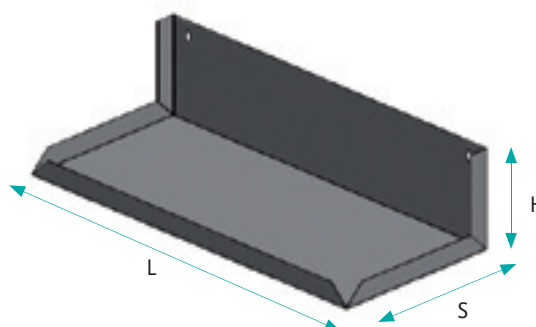
	L	S	H
2-154	625	190	300



2-155 Shelf

- made of stainless steel 0H18N9
- shelf with side bars
- dimensions [mm]:

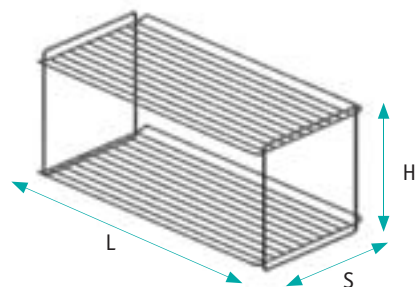
	L	S	H
2-155	580	260	145



2-156 Wire shelf double

- made of stainless steel 0H18N9
- dimensions [mm]:

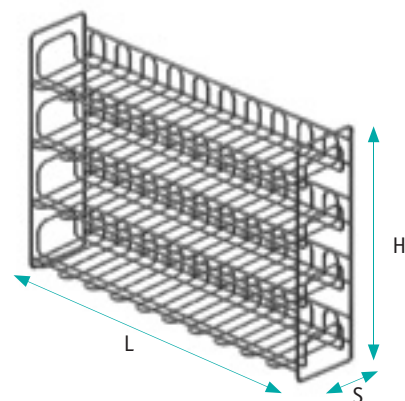
	L	S	H
2-156	580	285	285



2-159 Suture material basket

- made of stainless steel 0H18N9
- dimensions [mm]:

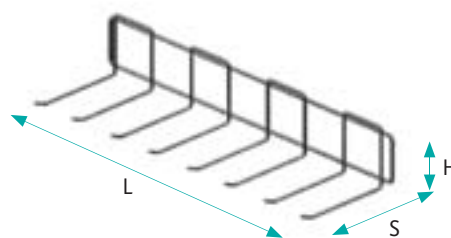
	L	S	H
2-159	580	180	400



2-160 Hanging rail

- made of stainless steel 0H18N9
- shelf with eight hooks (possibility to produce with different number of hooks and different dimensions)
- dimensions [mm]:

	L	S	H
2-160	580	180	100

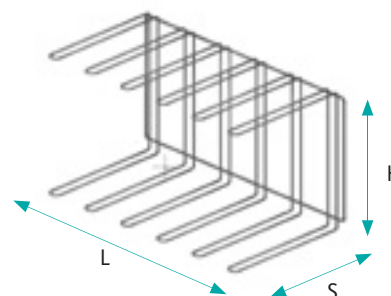




2-161 Shoe holder

- made of stainless steel 0H18N9
- holder with hooks for six pairs of shoes
- mentioned to be wall mounted
- dimensions [mm]:

	L	S	H
2-161	570	280	280



2-165 Hanger for 3 medium plastic containers

- holder made of stainless steel 0H18N9
- container dimensions 145x225x110
- containers made of plastic
- hanger width 530 mm



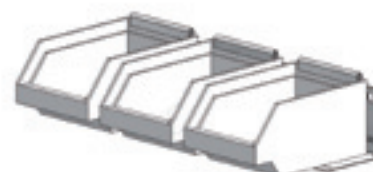
2-166 Hanger for 4 medium plastic containers

- holder made of stainless steel 0H18N9
- container dimensions 145x225x110
- containers made of plastic
- hanger width 655 mm



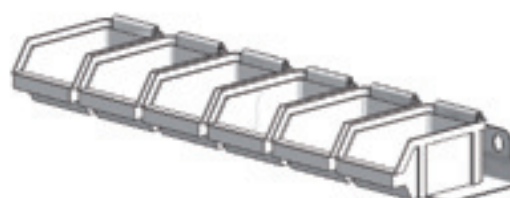
2-167 Hanger for 3 big plastic containers

- holder made of stainless steel 0H18N9
- container dimensions 200x310x150
- containers made of plastic
- hanger width 655 mm



2-168 Hanger for 6 small plastic containers

- holder made of stainless steel 0H18N9
- container dimensions 76x120x56
- containers made of plastic
- hanger width 530 mm





MEDICAL WORKING TABLES

Medical tables are made of stainless steel PN 0H18N9, other symbols for this kind of steel: W.NR 1.4301, AISI 304.

Additionally tabletops can be manufactured from stainless steel AISI316 and table bases can be manufactured from powder painted steel, color according to RAL palette.

Drawers are installed on ball bearing rails which enable slide to 80% of their length, with special lock which prevents from opening when drawers are closed.

Drawers are also with silicone gasket and stainless steel handle. Load capacity of one drawer is 20 kg.

Additional accessories such as water taps and special faucets, paper or soap dispensers can be ordered upon request.



We reserve the right to change design, constructions and dimensions of our products in order to improve their functionality and modernity.



TABLE TOPS

modular
furniture

Table top A

Table top, flat, can be produced of the following materials:

- steel
- corian
- postforming
- granite

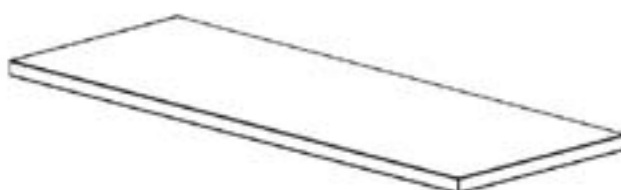


Table top B

Table top, with back edge upraised,
can be produced of the following materials:

- steel
- corian

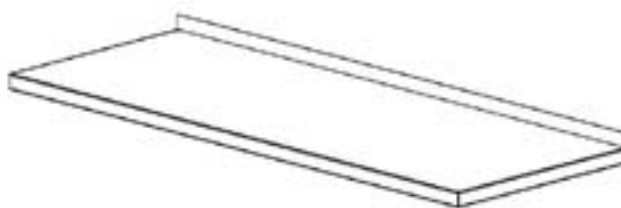


Table top C

Table top, with back and side edge upraised,
can be produced of the following materials:

- steel
- corian

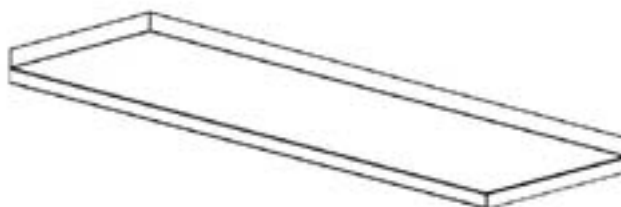


Table top D

Table top, with back and side edge upraised,
can be produced of the following materials:

- steel
- corian

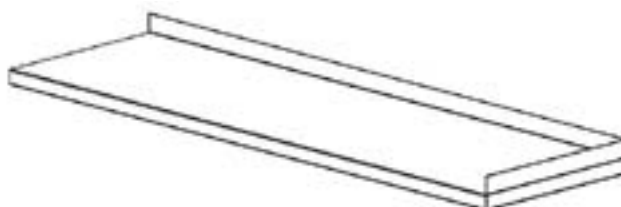


Table top E

Table top, with back and two side edges upraised,
can be produced of the following materials:

- steel
- corian



SINKS

modular
furniture

Sinks

- dimensions [mm]:

	L	S	H
	400	400	250
	400	500	250
	500	500	250
	400	340	180

Exemplary configuration of bays

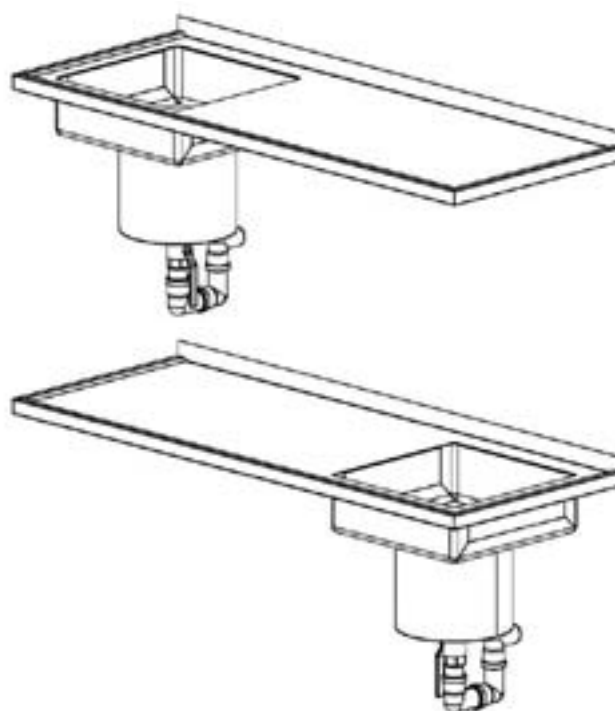


Sinks for plastering

- dimensions [mm]:

	L	S	H
	450	450	150

Exemplary configuration of bays





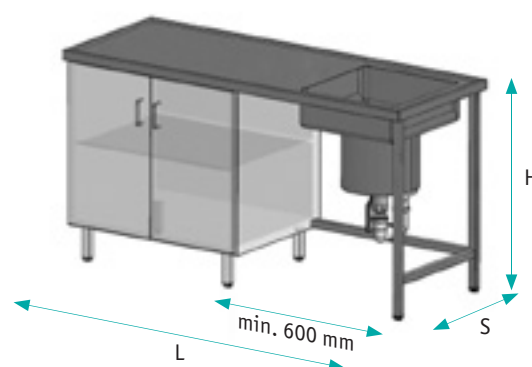
2-370

Table for plaster bands

modular
furniture

- table with one bay with gypsum trap
- bay dimensions: 450x450x150 mm
- all table top edges upraised
- table with level adjustment
- table without water taps
- external dimensions [mm]:

	L	S	H
2-370-1	1400	600	850
2-370-2	1600	600	850



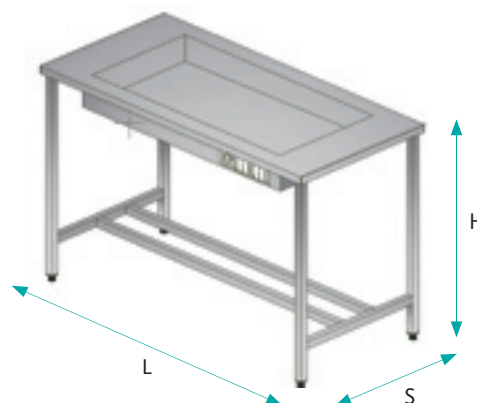
2-360

Table with lighted table top

modular
furniture

- table with lighted table top for testing of sterile units
- table with level adjustment
- external dimensions [mm]:

	L	S	H
2-360-1	1400	600	850
2-360-2	1400	900	850



2-380

Working table

modular
furniture

- table with table top
- back edge of tabletop upraised of 40 mm, other sides flat
- table with level adjustment
- external dimensions [mm]:

	L	S	H
2-380-1	400	600	850
2-380-2	500	600	850
2-380-3	600	600	850
2-380-4	800	600	850
2-380-5	1000	600	850
2-380-6	1200	600	850
2-380-7	1400	600	850



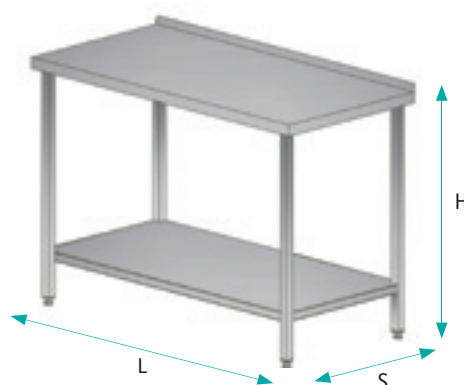
2-381

Working table

modular furniture

- table with tabletop shelf
- back edge of table upraised to 40 mm, other edges flat
- one fixed shelf situated 140 mm above floor
- table with with level adjustment
- external dimensions [mm]:

	L	S	H
2-381-1	400	600	850
2-381-2	500	600	850
2-381-3	600	600	850
2-381-4	800	600	850
2-381-5	1000	600	850
2-381-6	1200	600	850
2-381-7	1400	600	850



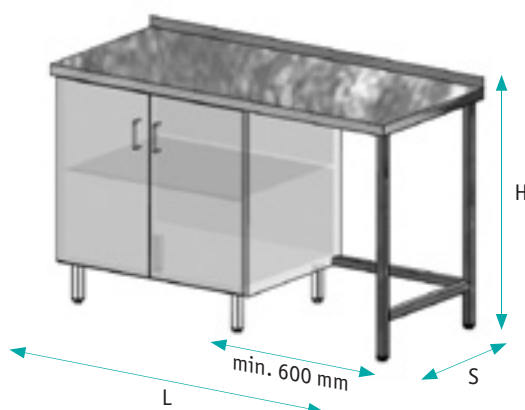
2-382

Working table

modular furniture

- table with cabinet
- back edge of table upraised to 40 mm, other edges flat
- cabinet with two wing doors under table top
- table with level adjustment
- external dimensions [mm]:

	L	S	H
2-382-2	1000	600	850
2-382-3	1200	600	850
2-382-4	1400	600	850



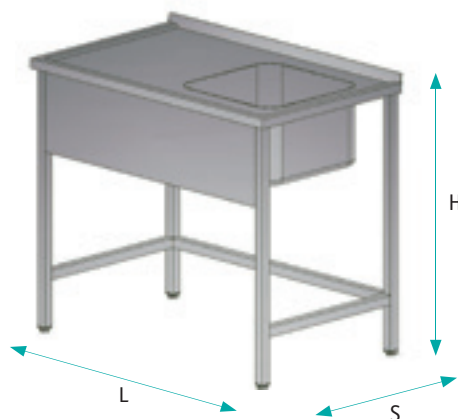
2-390

Working table

modular furniture

- table with sink
- back edge of table upraised to 40 mm, other edges flat
- on the right side one bay of dimensions: 400x400x250 mm, with plastic siphon
- masking frame in front under table top, height 250 mm,
- table with level adjustment
- table without water taps and hole for taps assembled to the table top
- external dimensions [mm]:

	L	S	H
2-390-1	800	600	850
2-390-2	1000	600	850
2-390-3	1200	600	850
2-390-4	1400	600	850





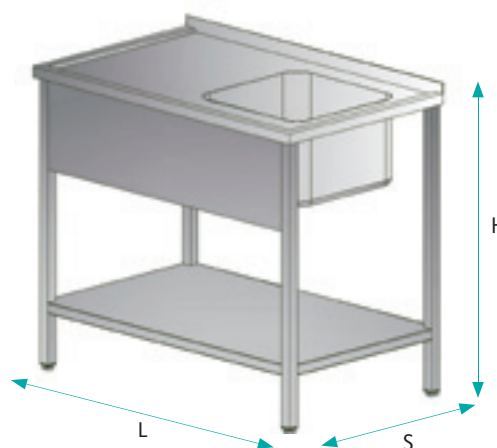
2-391

Working table

modular
furniture

- table with sink and shelf
- back edge of table upraised to 40 mm, other edges flat
- on the right side one bay with dimensions: 400x400x250 mm, with plastic siphon
- masking frame in front under tabletop, height 250 mm,
- table with fixed shelf, situated 140 mm above the floor
- table with level adjustment
- table without water taps and hole for taps assembled to the table top
- external dimensions [mm]:

	L	S	H
2-391-1	800	600	850
2-391-2	1000	600	850
2-391-3	1200	600	850
2-391-4	1400	600	850



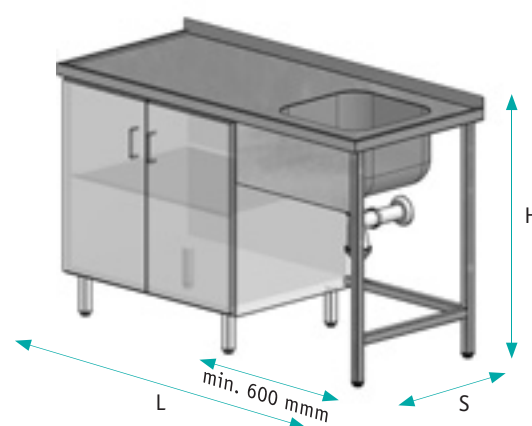
2-392

Working table

modular
furniture

- table with sink and cabinet
- back edge of table upraised to 40 mm, other edges flat
- on the left side one bay with dimensions: 400x400x250 mm, with plastic siphon
- masking frame in front under tabletop, height 250 mm,
- cabinet with two wing doors under table top, one fixed shelf
- table with level adjustment
- table without water taps and hole for taps assembled to the table top
- external dimensions [mm]:

	L	S	H
2-392-2	1000	600	850
2-392-3	1200	600	850
2-392-4	1400	600	850



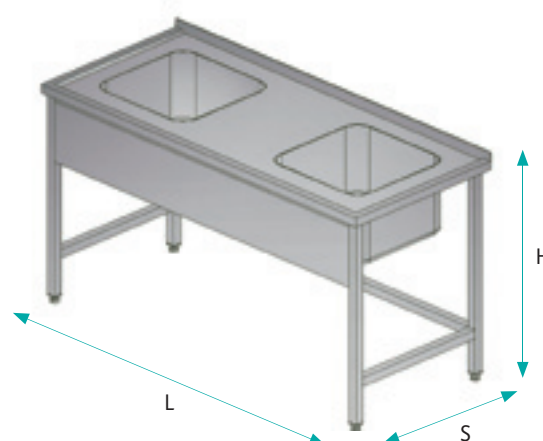
2-395

Working table

modular
furniture

- table with two bay sink
- back edge of table upraised to 40 mm, other edges flat
- one bay with dimensions: 400x400x250 mm, with plastic siphon
- masking frame in front under tabletop, height 250 mm
- table with level adjustment
- table without water taps and hole for taps assembled to the table top
- external dimensions [mm]:

	L	S	H
2-395-2	1000	600	850
2-395-3	1200	600	850
2-395-4	1400	600	850



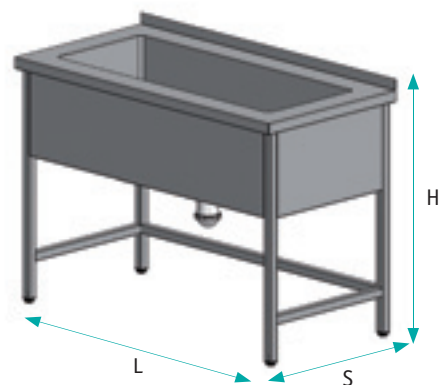
2-396

Working table

modular furniture

- one big bay, depth 300 mm, with plastic siphon
- masking frame in front under tabletop, height 300 mm
- table with level adjustment
- table without water taps and hole for taps assembled to the table top
- external dimensions [mm]:

	L	S	H
2-396-1	800	600	850
2-396-2	1000	600	850
2-396-3	1200	600	850
2-396-4	1400	600	850



2-901

Disinfectant fluid or soap dispenser – 500 ml

2-902

Disinfectant fluid or soap dispenser – 1000 ml

2-903

Paper towel dispenser - 250 pcs

2-904

Paper towel dispenser – 500 pcs

2-905

Elbow operated water tap, wall mounted

- information about particular model will be presented in the offer

2-906

Infra red water tap mounted to the sink

- information about particular model will be presented in the offer

2-907

Infra red water tap wall mounted

- information about particular model will be presented in the offer

2-909

Elbow operated water tap simple

- information about particular model will be presented in the offer

2-910

Shower water tap

- information about particular model will be presented in the offer



COUCHES AND BED SCREENS

Constructions of couches and bed screens are made of stainless steel pN 0h18N9, other symbols for this kind of steel: W NR 1 4301, AISI 304.

Couches upholstery and material used in screens is resistant to disinfectants used in hospitals. Standard color is green, additional colors can be order upon request.

OPTION: couches and bed screens construction can be manufactured of the powder painted steel, color according to RAL palette.



We reserve the right to change design, constructions and dimensions of our products in order to improve their functionality and modernity.



2-060

Examination couch

- basic couch, without head-rest adjustment,
- soft, upholstered, pallet
- upholstery is made of high quality materials which are resistant to disinfectants used in operating theatres
- standard color is green, other colors available upon request
- couch with level adjustment
- permissible load: 160 kg
- product with CE mark
- external dimensions [mm]:

	L	S	H
2-060	1950	650	700

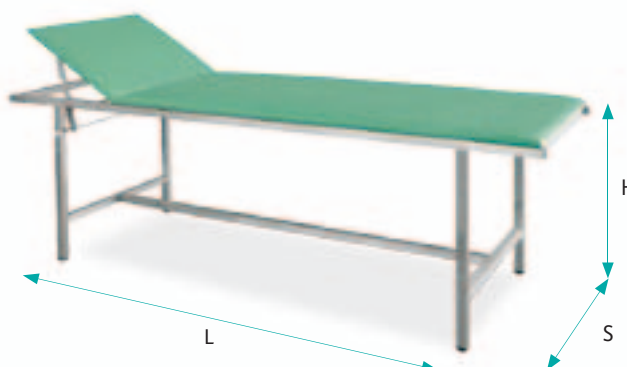


2-061

Examination couch

- two section couch, with head-rest adjustment
- head rest adjusted by hand in range of 30°
- soft, upholstered, pallet
- upholstery is made of high quality materials which are resistant to disinfectants used on operating theatres
- standard color is green, other colors available upon request
- couch with level adjustment
- permissible load: 160 kg
- product with CE mark
- external dimensions [mm]:

	L	S	H
2-061	1950	650	700



2-062 Examination couch

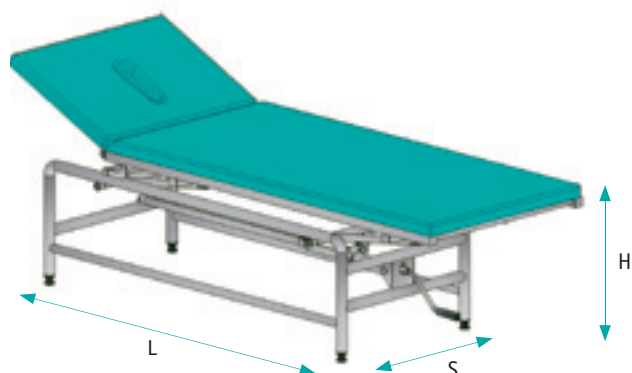
- two section couch with head rest and foot rest adjustment
- head rest adjusted by hand in range of 30°, foot rest adjusted by hand in range of 10°
- soft, upholstered, pallet
- upholstery is made with high quality materials which are resistant to disinfectants used on operating theatres.
- standard color is green, other colors available upon request
- movable side barriers
- couch on castors with diameter 100 mm, two castors with brakes
- castors with non smudging wheels
- permissible load: 160 kg
- product with CE mark
- external dimensions [mm]:



	L	S	H
2-062	1950	650	700

2-063 Examination and massage couch

- two section couch with height and head rest adjustment
- couch height adjusted by crank in range of 530-850 mm
- head rest adjusted by hand in range of 0° - 45°
- head rest with hole for easy breathing during massage
- soft, upholstered, pallet
- upholstery is made with high quality materials which are resistant to disinfectants used on operating theatres
- standard color is green, other colors available upon request
- couch with level adjustment
- permissible load: 160 kg
- external dimensions [mm]:



	L	S	H
2-063	1950	680	530/850



2-065

Washing couch

- table with rubber washing tub
- hydraulic height adjustment by foot lever in range 550-850 mm
- rubber washing tub with drain
- movable side barriers
- couch on castors with diameter 125 mm, two castors with brakes
- dimensions of bath bottom: 1700x500
- permissible load: 160 kg
- external dimensions [mm]:

	L	S	H
2-065	1950	850	1050



2-064

Baby examination cabinet

- cabinet with soft, upholstered table top, table top dimensions: 1100x600 mm
- tabletop with built-in electronic scale, capacity 30 kg and measure
- cabinet with one shelf and three drawers under tabletop
- cabinet painted in RAL pallet colors
- table top height: 980 mm
- external dimensions [mm]:

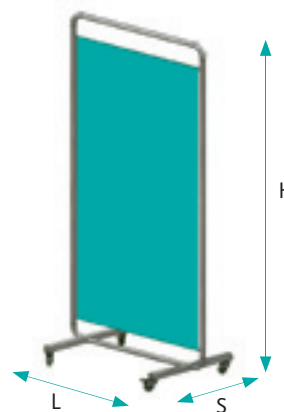
	L	S	H
2-064	1100	600	1135



2-070 **Screen**

- screen made of fabric in green color
- basis on castors with diameter 50 mm, two castors with brakes
- castors with non smudging wheels
- external dimensions [mm]:

	L	S	H	
2-070-1	1000	600	1872	One part
2-070-2	2000	600	1872	Two parts
2-070-3	3000	600	1872	Three parts



2-071 **Telescopic extension arm**

- telescopic extension arm, wall mounted
- medical attested cloth, standard color is green
- cloth dimensions: 2000x1500 mm
- telescopic extension arm, wall mounted with hooks for two drip bottles
- extension range: 880/2060 mm



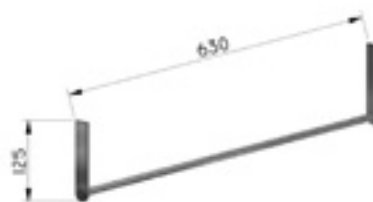
2-072 **Telescopic extension arm**

- telescopic extension arm, wall mounted
- medical attested cloth, standard color is green
- cloth dimensions: 2000x1500 mm
- telescopic extension arm without drip bottle holder
- extension range: 880/2060 mm

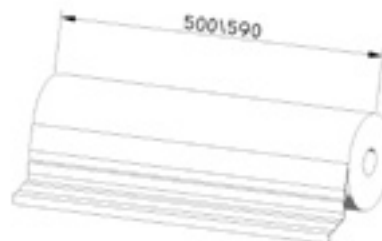


**2-980****Holder for paper towels for couches**

- made of stainless steel 0H18N9
- dimensions: 630x125 mm

**2-981****Paper towels for couches**

- width 500 mm

**2-943****Infusion rod for couches**

- made of stainless steel 0H18N9
- length: 1300 mm



2-067

Specialistic bath for burns treatment










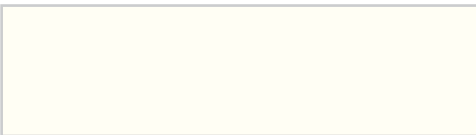

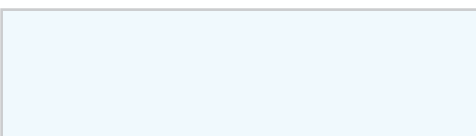
- special bathtub for burn healing
- made of stainless steel 0H18N9
- shower tap included
- external dimensions [mm]:

	L	S	H
2-067	1600	720	530







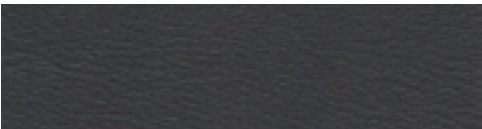





Colors of wall panels

1015		6019	
1017		6034	
1018		6027	
3015		7035	
5015		9010	
5024		9016	

Colors of upholstery

1004		5154	
1089		5118	
1044		6156	
9011		6001	

SURGICAL SCRUB SINKS		page
2-091-1	Surgical scrub sink with wall panel	13
2-091-2	Surgical scrub sink with wall panel	13
2-091-3	Surgical scrub sink with wall panel	14
2-092-1	Surgical scrub sink with knee operated soap dispenser and knee operated water tap	14
2-092-2	Surgical scrub sink with knee operated soap dispenser and knee operated water tap	15
2-092-3	Surgical scrub sink with knee operated soap dispenser and knee operated water tap	15
2-093-1	Surgical scrub sink with infra red soap dispenser and infra red water tap	16
2-093-2	Surgical scrub sink with infra red soap dispenser and infra red water tap	16
2-093-3	Surgical scrub sink with infra red soap dispenser and infra red water tap	17
2-090-1 2-090-2 2-090-3	Surgical sink	17
2-900	Brush dispenser	18
2-901 2-902	Disinfectant fluid or soap dispenser - 500 ml, 1000 ml	18
2-903 2-904	Paper towel's dispenser - 250 pcs, 500 pcs	18
2-905	Elbow operated water tap, wall mounted	18
2-906	Infra red water tap mounted to the sink	18
2-907	Infra red water tap wall mounted	18
2-908	Infra red water tap with infra red fluid dispenser	18
2-911	Mirror for scrub sinks mounted over the sink	18
INSTRUMENT TABLES		page
2-001	Mayo type instrument table	21
2-010	Mayo type instrument table	21
2-002	Surgical instrument table	21
2-016	Surgical instrument and medical stuff table	22
2-017	Surgical instrument and medical stuff table	22
2-201	Dressing table	23
2-202	Dressing table	23
2-203	Dressing table	24
2-204	Dressing table	24
2-920	Drawer	25
2-934 2-936	Bowl with holder	25
2-938	Bucket 7l with holder	25
2-945	Tray with holder	25
ANAESTHESIA CABINETS AND TROLLEYS		page
2-301	Anesthesia trolley	29
2-302	Anesthesia trolley	29
2-303	Anesthesia trolley	29
2-305	Anesthesia trolley	30
2-316	Anesthesia trolley	30
2-317	Anesthesia trolley	30
2-318	Anesthesia trolley	31

2-319	Anesthesia trolley	31
2-325	Anesthesia trolley	31
2-330	Anesthesia trolley	32
2-340	Anesthesia trolley	32
2-345	Emergency trolley with four drawers and accessories	33
2-346	Emergency trolley with four drawers and accessories	33
2-930 2-931 2-932	Guard rail	34
2-938	Bucket 7l with holder	34
2-939	Waste wire basket	34
2-942	Drip bottle holder	34
2-945	Tray with holder	34
2-946	Disposable box for needles	34
2-951	Plastic containers - upstand	34
2-950	Container for catheter	34

EQUIPMENT FOR OPERATING ROOMS		page
2-035 2-036	Bucket mobile	37
2-031 2-032	Bowl holder	37
2-033	Heated bowl with holder	38
2-040 2-042	Medical stool with manual height adjustment for medical examinations	39
2-041-H 2-045-H	Medical stool with hydraulic height adjustment for medical examinations	39
2-043 2-044-H	Medical stool with backrest for medical examinations	40
2-046	Medical stool with ergonomic seat	40
2-050	Surgical platform	41
2-051	Surgical platform	41
2-020	Drip bottle holder	42

TROLLEYS FOR MEDICAL DEVICES		page
2-550 2-551	Trolley for medical devices	45
2-552	Trolley for medical devices	45
2-560 2-561	Trolley for medical devices	45
2-562	Trolley for medical devices	46
2-570	Trolley for medical devices	46
2-571	Trolley for medical devices	46
2-985	Oxygen bottle holder	47
2-986	Keyboard shelf	47

TROLLEYS FOR LINEN TRANSPORTATION		page
2-100 2-101	Trolley for plastic bag	51
2-102 2-103	Trolley for plastic bag	51
2-104 2-105	Trolley for plastic bag	52
2-110	Trolley for clean and dirty linen	52
2-111	Trolley for clean and dirty linen	52



MEDICAL AND STORAGE CABINETS		page
2-250	Medical cabinet	55
2-251	Medical cabinet	55
2-252	Medical cabinet	55
2-253	Medical cabinet	56
2-254	Medical cabinet	56
2-255	Medical cabinet	56
2-260	Medical cabinet	57
2-261	Medical cabinet	57
2-262	Medical cabinet	57
2-263	Medical cabinet	58
2-264	Medical cabinet	58
2-265	Medical cabinet	58
2-266	Medical cabinet	59
2-267	Medical cabinet	59
2-268	Medical cabinet	59
2-269	Medical cabinet	60
2-270	Medical cabinet	60
2-271	Medical cabinet	60
2-272	Medical cabinet	61
2-273	Medical wardrobe	61
2-280	Medical cabinet wall mounted	62
2-281	Medical cabinet wall mounted	62
2-282	Medical cabinet wall mounted	62
2-283	Medical cabinet wall mounted	63
2-284	Medical cabinet wall mounted	63
2-285	Medical cabinet wall mounted	63
2-286	Medical cabinet wall mounted	64
2-287	Medical cabinet wall mounted	64
2-288	Medical cabinet wall mounted	64
2-289	Medical cabinet wall mounted	65
2-290	Opened medical cabinet	65
2-291	Medical cabinet	65
2-292	Medical cabinet	66
2-293	Medical cabinet	66
2-294	Cabinet for hospital footwear	66
2-971	Drugs cabinet	67
2-970	Locks for cabinets	67
2-972	Shelf – stainless steel	67
2-973	Shelf of safe glass	67
2-976	Castors	67

BASKETS, SHELVES AND TROLLEYS FOR STERILE PRODUCTS		page
2-500	Trolley for transportation sterile products and dressings	73
2-510	Paper trolley	73
2-520	Transport trolley	73
2-720	Shelves for urine bottles and bed pans	74
2-150	Wall mounted hook rail	74
2-180	Mobile hook rail	74
2-191	Basket rail	75
2-1223	Storage shelves	75
2-162	Tube and OP-towel holder	75
2-1200	Shelf	76
2-1201	Shelf	76
2-151	Sterile goods basket	76

2-152	Sterile goods basket	76
2-153	Sterile goods basket	77
2-154	Bed pans shelf	77
2-155	Shelf	77
2-156	Wire shelf double	78
2-159	Suture material basket	78
2-160	Hanging rail	78
2-161	Shoe holder	79
2-165	Hanger for 3 medium plastic containers	79
2-166	Hanger for 4 medium plastic containers	79
2-167	Hanger for 3 big plastic containers	79
2-168	Hanger for 6 small plastic containers	79

MEDICAL WORKING TABLES		page
	Table top A	83
	Table top B	83
	Table top C	83
	Table top D	83
	Table top E	83
	Sinks	84
	Sinks for plastering	84
2-370	Table for plaster bands	85
2-360	Table with lighted table top	85
2-380	Working table	85
2-381	Working table	86
2-382	Working table	86
2-390	Working table	86
2-391	Working table	87
2-392	Working table	87
2-395	Working table	87
2-396	Working table	88
2-901	Disinfectant fluid or soap dispenser – 500 ml	88
2-902	Disinfectant fluid or soap dispenser – 1000 ml	88
2-903	Paper towel dispenser - 250 pcs	88
2-904	Paper towel dispenser - 500 pcs	88
2-905	Elbow operated water tap, wall mounted	88
2-906	Infra red water tap mounted to the sink	88
2-907	Infra red water tap wall mounted	88
2-909	Elbow operated water tap simple	88
2-910	Shower water tap	88

COUCHES AND BED SCREENS		page
2-060	Examination couch	91
2-061	Examination couch	91
2-062	Examination couch	92
2-063	Examination and massage couch	92
2-065	Washing couch	93
2-064	Baby examination cabinet	93
2-070	Screen	94
2-071	Telescopic extension arm	94
2-072	Telescopic extension arm	94
2-980	Holder for paper towels	95
2-981	Paper towels	95
2-943	Infusion rod for couches	95
2-067	Specialistic bath for burns treatment	96