



GARDEN

spot



Garden Spot

Think green

■ Company Profile

Pixel Garden is a unique system used in constructing vertical gardens, popularly known as Green Walls. The system is not only used as decorative nature. It has multi-functional usages such as:

- Traditional Vertical Gardens
- Partition Walls
- Sound Barriers
- Fences or hoardings

Pixel Garden is setting new standards in space design, with the use of living flowers which implement freshness, aroma and colors in its surroundings.

■ Benefits of vertical gardens:



Air purification and dust reduction



Noise level reduction



Heat reduction and energy cost reduction



Water management



Biodiversity



Aesthetics



More green spaces



Health and Well-being



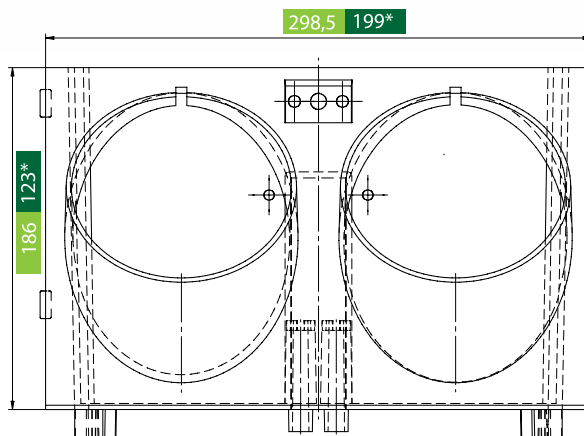
Pixel Garden System



Each set consists of a box with two flower pots planted inside it. The system is designed in a way which enables the construction of a full flower wall with an innovative irrigation system.

The Pixel Garden System offers enormous design possibilities and arrangements. Various colorful flowers in each pot can be used to create colorful pictures with diverse color variations, blooming mosaics, floral inscriptions and sophisticated patterns with spectacular visual effects.

The Pixel Garden's vertical gardens offer enormous possibilities of arrangement. Flowers in small pots, like pixels, create colorful pictures.

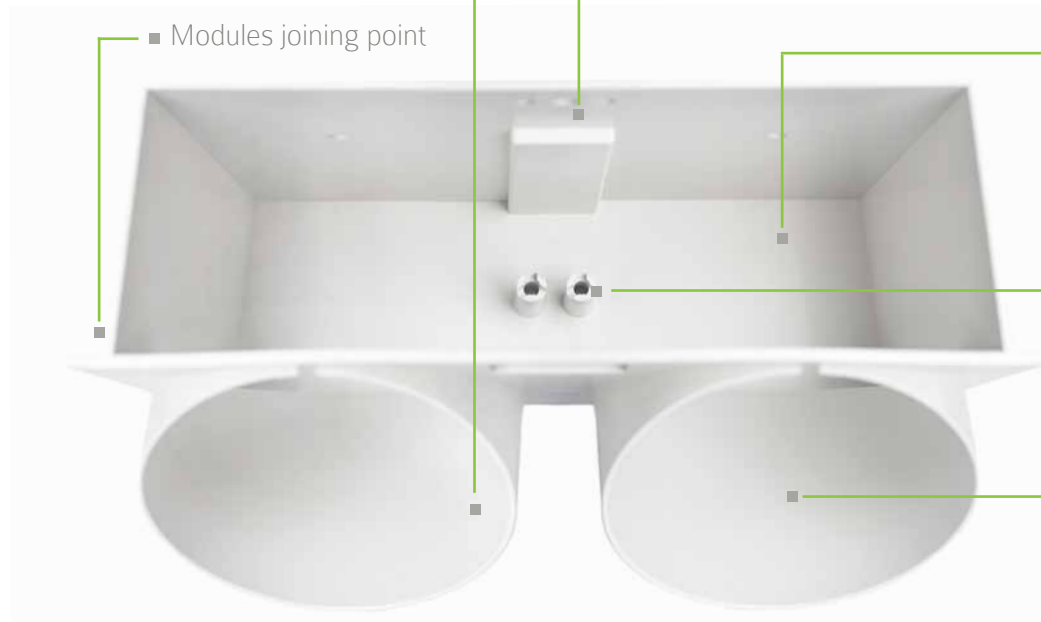


Colors of Pixel Garden:  

The containers and the pots are made of Polypropylene (PP) with UV protection up to 5 years. The pots are available in two standard colors, black and light gray.



Model	Size	Quantity per 1m ²	Diameter of the pots
PG 14	186 x 298,5 x 90 mm	18 Pc	140 mm
PG 09	123 x 199 x 60 mm *	40 Pc	90 mm



Colors of Pixel Garden:

- PIXEL GARDEN PG 09
- PIXEL GARDEN PG 14

■ System of interchangeable pots

■ Mounting hole

■ Modules joining point

■ Water tank

■ Overflow irrigation

■ Possibility to apply vegetation in hydroponic cultivation





Pixel Garden The Technology



The system is designed with practicality and lack of maintenance in mind.

The water flows through the system through a container located at the back of the pots, therefore no soil leaks out of the pots and the plant roots will absorb the water via smart holes integrated within the system.

The systems ease of use comes in handy when; replacing plants, doing maintenance/services or even when redesigning the whole panel.

Pixel Garden Irrigation



The system is designed with a very innovative approach where the traditional way of irrigation is not required.

The water is vertically transferred from one container to another tanks to gravity, therefore, regardless of height, it only requires a single irrigation supply on the top row of any panel.

ALTERNATIVE IRRIGATION :



PORTABLE

irrigation system:
Water filling station



AUTOMATIC

irrigation system



GARDEN COUPLER

irrigation system



MANUAL

irrigation system







Design | Modern | Eco

Alu Line

by Garden Spot







Perfection in Details

Design | Modern | Pixel Garden



Mobile aluminium line products



The new aluminium system of Pixel Garden products was created in order to make them more mobile.

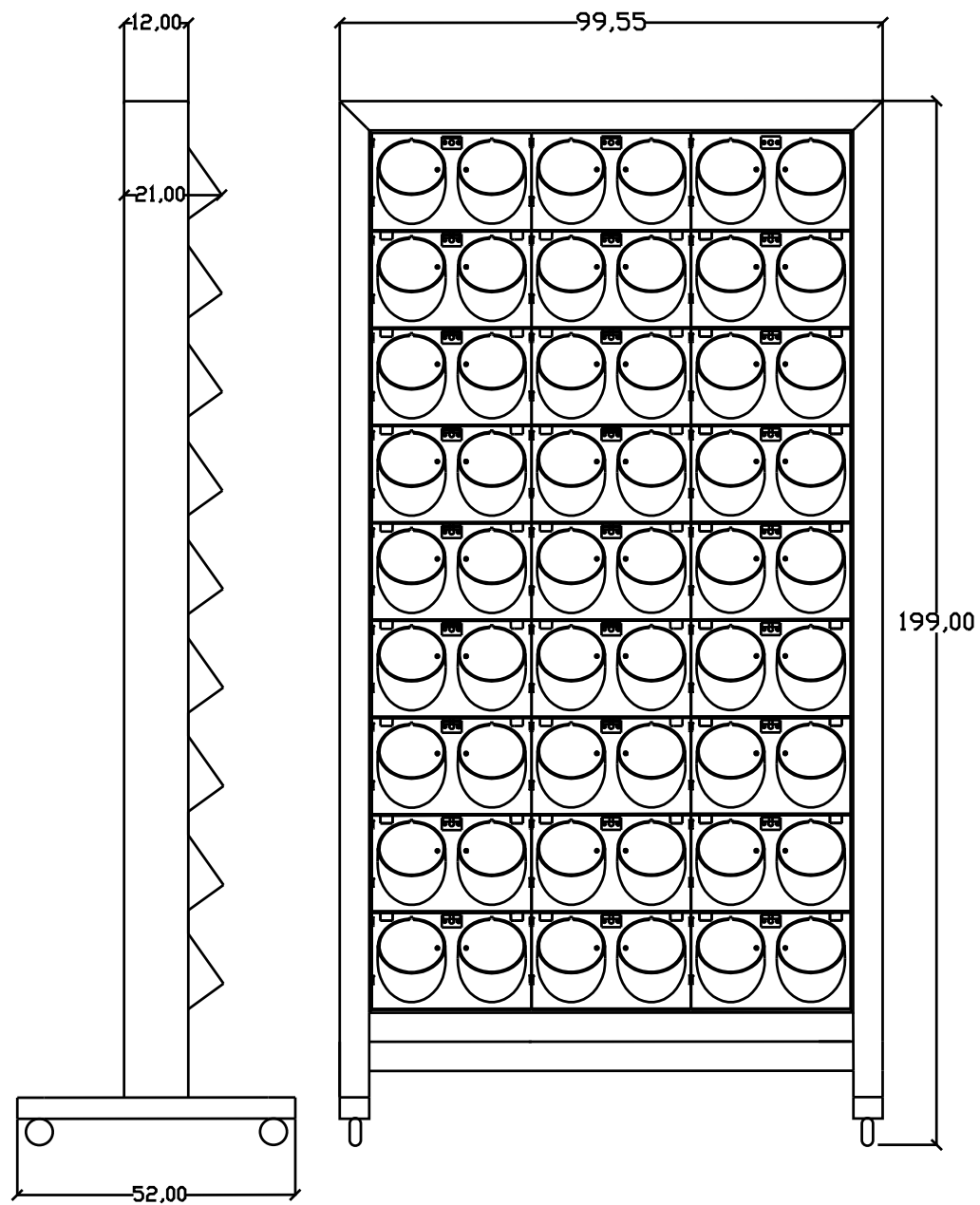
The aluminium construction is light and works perfectly in various types of events.

The Construction of mobile walls allows to create Green Walls on one or both sides.

Alu Line

The Technology





Alu Line | Properties | Possibility:

Module Pixel Garden: PG09 | PG14

Model: Hanging, standing, mobility

Modules color: light gray | black

Individuality of dimension

Use: internal | external

Scalability

Material: aluminum

Resistant to rust

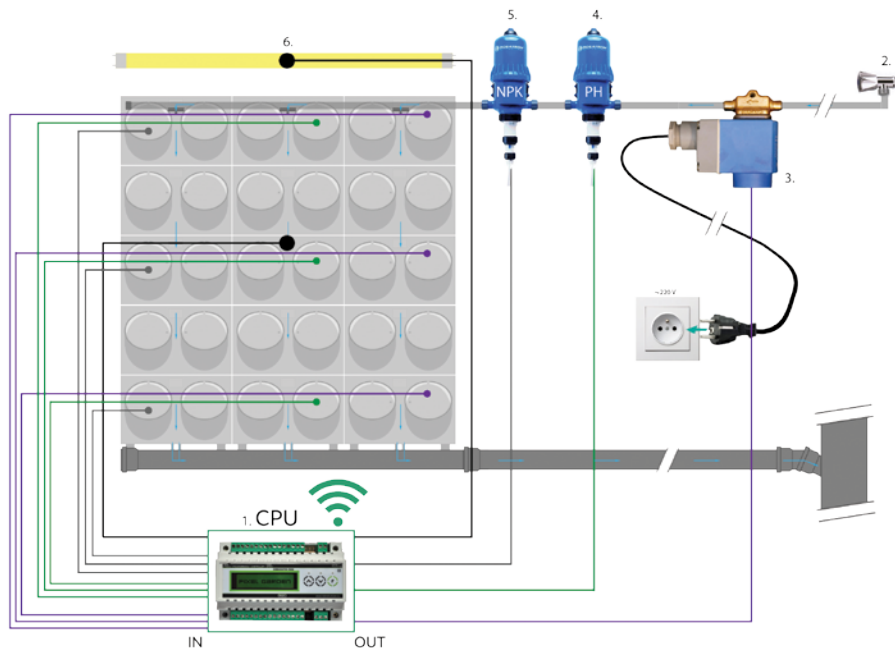
Increased resistance to UV radiation

Painting: plein-air painting

Standard color: RAL 7043 mat

Available colors for frames:

gloss, semi-gloss, mate, semi-matte



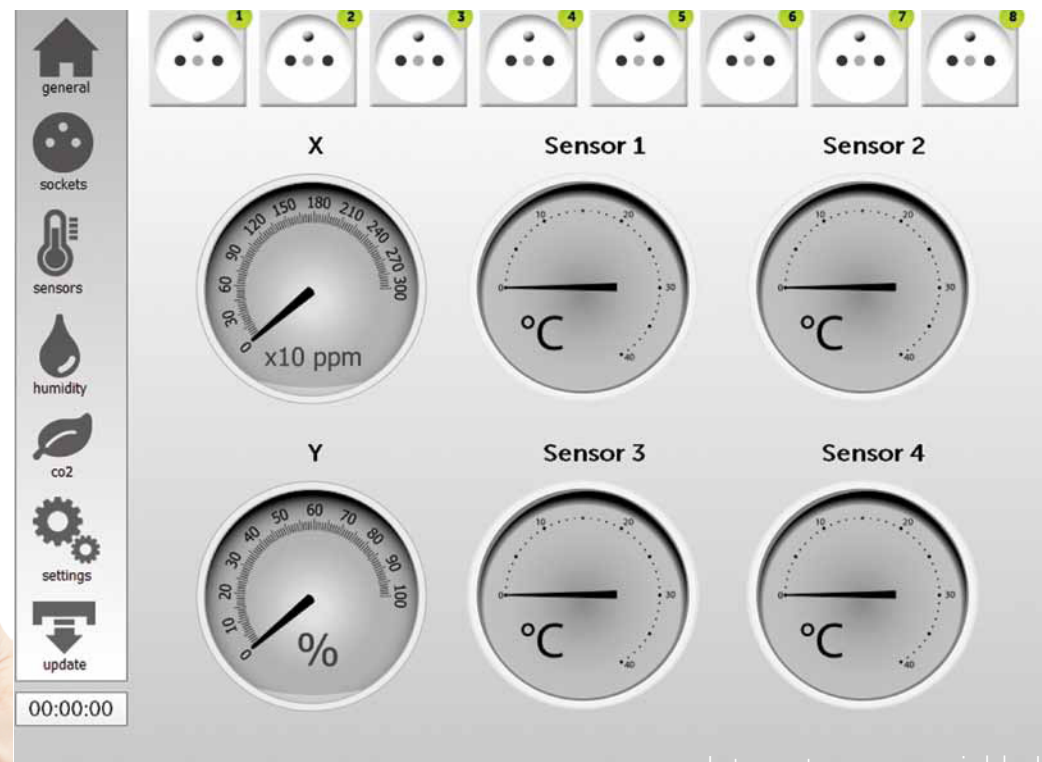
- sunlight sensor
- sensor of microelement content
- pH sensor
- moisture sensor

1. CPU computer controlling and monitoring the optimum growth conditions
2. water valve/ water supply from water-pipe network
3. electrovalve 220V
4. pH dispenser
5. dispenser of microelements
6. RGB light
7. management by mobile application



Climate Control Computer System is a professional tool designed especially for Pixel Garden System. It can continuously monitor the following parameters:

- Soil moisture
- Air humidity
- Temperature
- EC (Minerals level)
- Carbon dioxide content
- Light level
- Ph





Climate Control Computer System



Created by Grden Spot



Realizations

Alu Line | Pixel Garden













Pixel Garden | Hotels





ESPRESSO BAR

Pixel Garden | Shopping center











BEVERAGES		BEER & WINE	
LAGER	\$5.50	LAGER	\$5.50
PILSENER	\$5.50	PILSENER	\$5.50
IPA	\$6.50	IPA	\$6.50
STOUT	\$5.50	STOUT	\$5.50
GUINNESS	\$5.50	GUINNESS	\$5.50
WINE	\$7.50	WINE	\$7.50
RED	\$7.50	RED	\$7.50
WHITE	\$7.50	WHITE	\$7.50
ROSE	\$7.50	ROSE	\$7.50
CHAMPAGNE	\$12.00	CHAMPAGNE	\$12.00
PROSECCO	\$12.00	PROSECCO	\$12.00
SPARKLING	\$12.00	SPARKLING	\$12.00
COGNAC	\$12.00	COGNAC	\$12.00
TEQUILA	\$12.00	TEQUILA	\$12.00
VODKA	\$12.00	VODKA	\$12.00
WHISKY	\$12.00	WHISKY	\$12.00
GIN	\$12.00	GIN	\$12.00
BRANDY	\$12.00	BRANDY	\$12.00
LIQUOR	\$12.00	LIQUOR	\$12.00

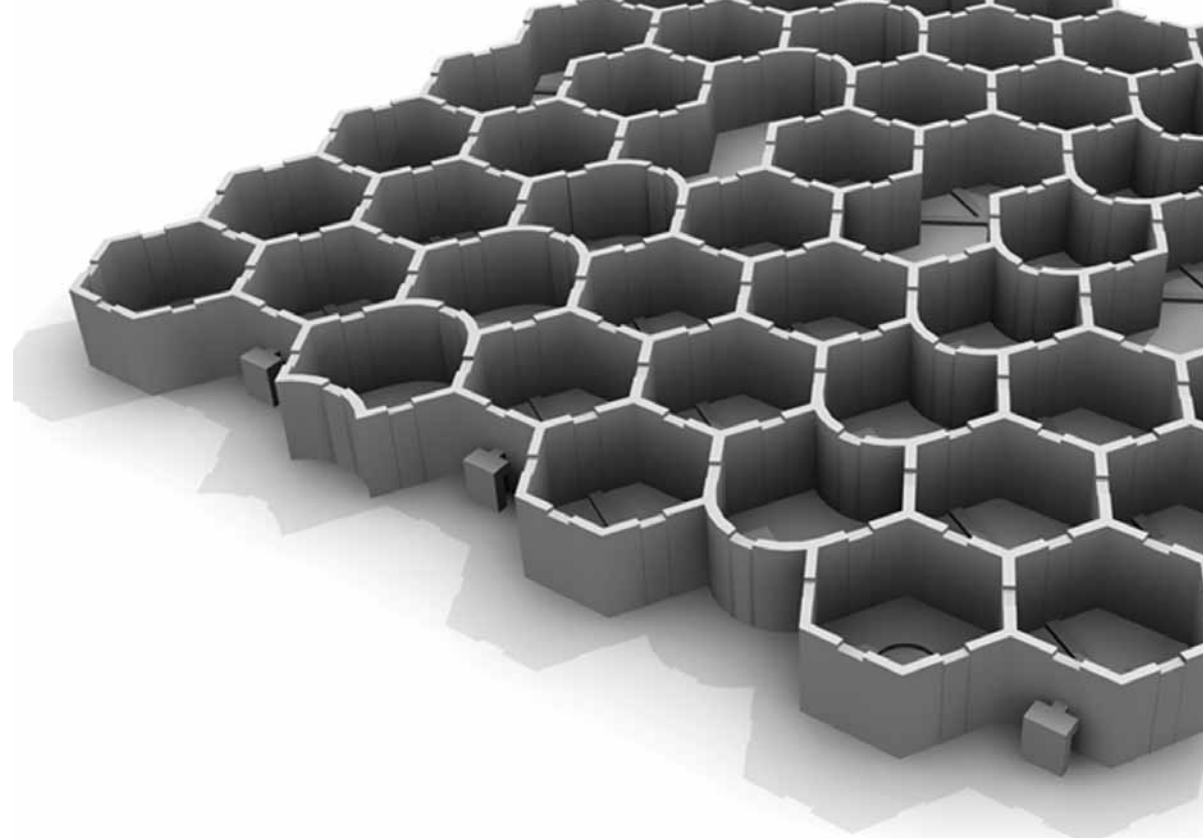
JOHN LEMON





Garden Grid Eco-friendly lawn grid
Garden Spot | Building | Industry | Gardens





Additional equipment :

- Parking tags
- Fixing anchors
- Color: black

The eco-friendly lawn grid is a product used in construction, horticulture and transport. High quality and high resistance parameters (350 t/m²) guarantee long-term utility. An additional advantage of the grid is an optional system of mounting it with anchors which enables it to be assembled on the slopes, even with a high inclination angle. Most often, it is filled with grass, which preserves green and natural areas. It is also possible to fill a grid with a parking tag, which can be used to create lines, names etc.).

Durability: over 25 years
Weight of one piece: 1,3 kg
Material: PP PE HDPE
Permissible load: 350 t/m²
Model: I GG 4.2
Size GG4.2 :537 x 521 x 40mm



Garden Spot

ul. Kostrzewskiego 14

62-022 Rogalinek

Poland

Phone: +48 503 643 664

E-mail: office@gardenspot.eu

www.gardenspot.eu

