



# 19" SERVER RACKS



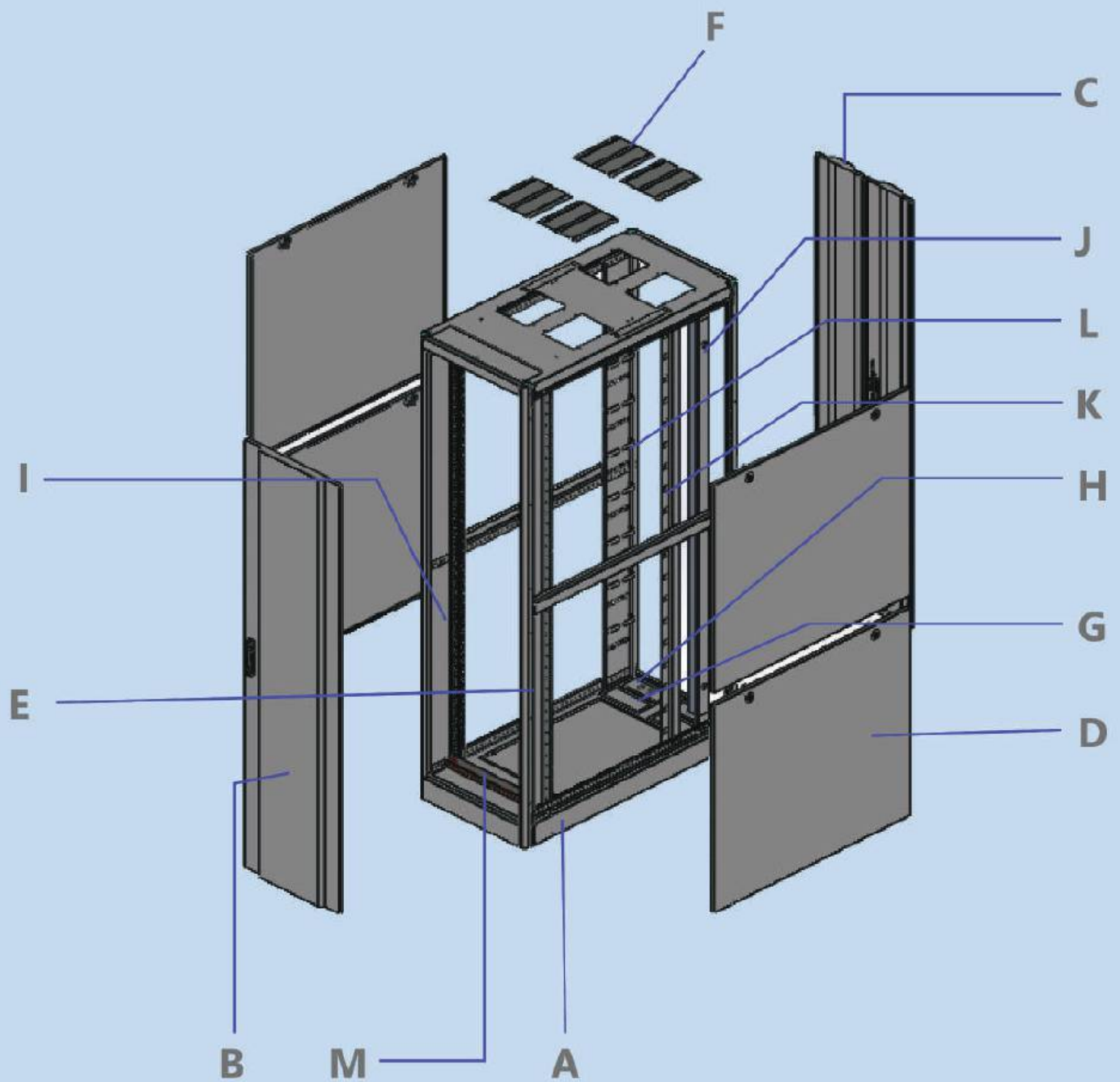
[www.timikenclosures.com](http://www.timikenclosures.com)

---

TIMIK - **DATCET** is provide a wide range of Data Center Racks. The optimization of cooling and energy efficiency can reduce your energy cost in a considerable amount.

This TIMIK - **DATCET** product line satisfies the high demand and standards of this unique market segment





**A - Bolted Rack Structure**

**B - Front Mesh Door**

**C - Rack Split Mesh Door**

**D - Horizontal Split Dual Side Cover**

**E - 19" Mounting Rails**

**F - Top Cable Entries with Brushes**

**G - Bottom Cover**

**H - Bottom Gland Plate Blank**

**I - Air Sealing Panel**

**J - PDU Mounting Profile**

**K - Vertical Cable Management Rail**

**L - Vertical Cable Management Tray with Cable Guides**

**M - Earth Bar**



Airflow management



Side Covers



Tray with wire guides



Mesh door



Adjustable legs / Castor wheels



Mounting rails



PDU Unit



Cable entry plates with brushes



Access security



Earth bar

- This well designed TIMIK - **DATCET** server rack comes with a bolted type structure that can be easily assemble, handle, and transport.
- The new design comes with the five bent vertical column design that gives additional strength to the rack. This TIMIK - **DATCET** server rack has been tested under 1200kg Load.
- The load capacity has been verified and certified in an Independent laboratory with the reference standards of EIA310D, ANSI/BICSI 002-2014, and EN60529:2001.



### Mesh Doors

Newly modified perforated Mesh doors are used for front and back doors. The Mesh perforation of the front and back mesh door is 83%.

Two types of door arrangements are available for the rack.

- Single mesh door
- Vertical split mesh door



### Side Covers

With removable and lockable side covers, it's easy to transport, handle and assemble the racks.

There are three types of side covers available for the racks.

- Single side cover
- Vertical split dual side cover
- Horizontal split dual side cover



### Top-Cable entries with brush plates

This top-mounted cable entry palate with brushes manages the airflow of the rack and provide easy access for the cables.



## Bottom - Cable entries

Bottom cable entries provide easy access for the cables



## Mounting rails with U markings

This fully air sealed data center rack comes with the standard 19-inch rack size. The numbered horizontal and vertical rails are more useful when equipment is connected to the rack. There are two sets of rails that can be adjustable from front and back.



## Rack Earthing

The Rack-mountable earth bar, earthing stud and braided copper grounding strap are used for rack earthing.



## Cable managements

For better organizing your cables and power cords in your rack, having the right cable management can help to increase airflow and with that the life of the equipment.

- Vertical main cable tray
- Vertical slim cable tray
- Cable management with holes



## PDU Mounting Profile

Used for PDU mounting. TIMIK **DATCET** server rack comes with a universal design for the PDU mounting profile.



## PDU

PDU's have come with different features

- **Basic PDU** - PDU with basic features
- **Metered PDU** - A Metered PDU distributes network-grade power and meters load in amps to prevent overloads and help users optimize load levels.
- **Monitored PDU** - Monitored PDU's are a great option if you require power metering at the PDU level with remote monitoring of current and other critical measurements.
- **Switched PDU** - Switched PDU has the capability of toggle power on and off for individual power outputs remotely.



## Heavy duty wheels and levelling legs

Castor Wheels with adjustable legs for easy movement of a rack and for positioning the rack horizontally.

- Castor wheels
- Castor wheels with adjustable lags
- Adjustable lags



## Access Security

Common key locks and intelligent locks are available for the security purpose of the racks.

- **Door Locking System** – Three-position or Single position handle locks  
Door lock Types:
  1. Common key type
  2. Separate key type
  3. Smart handle lock ( Number pad/ Smart card/ Fingerprint)
- **Lockable type side covers**  
Side covers are easy to remove and lock with the panel lock



## Airflow management

Blanking panels force cold air through your equipment and prevent hot air from recirculating through open spaces. Brush strips, gaskets and grommets are used to block air leaks around cable channels and other gaps.

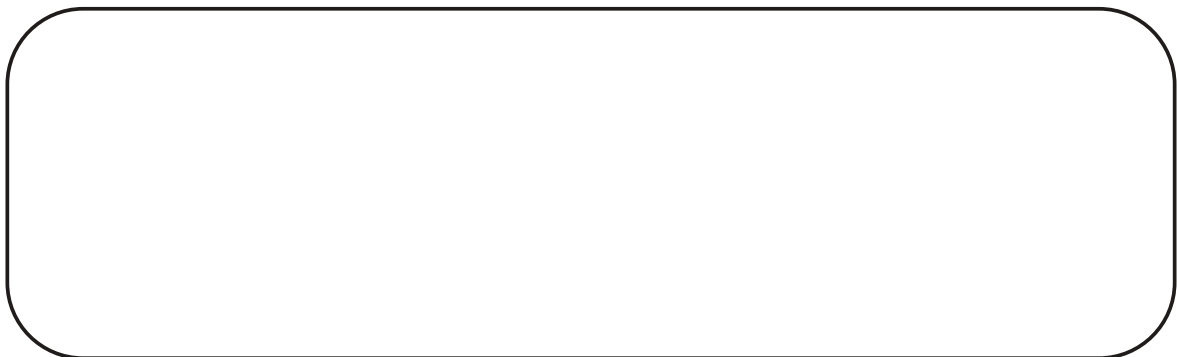


## Bottom service plate (bottom cover)

Removable bottom cover ideal for raised floor access and services.



## **19" Racks & Aisle Containment Solutions**



[www.timikenclosures.com](http://www.timikenclosures.com)

All illustrations, drawings and descriptive matter in this publication are of a generally informative nature only and do not form part of the specification or description of the goods.

All dimensions shown are nominal. TIMIK reserves the right to make. Without notice, such modifications, design, materials or finishes as it Copyright, intellectual property and drawings remain the property of TIMIK and must not be reproduced, without prior approval